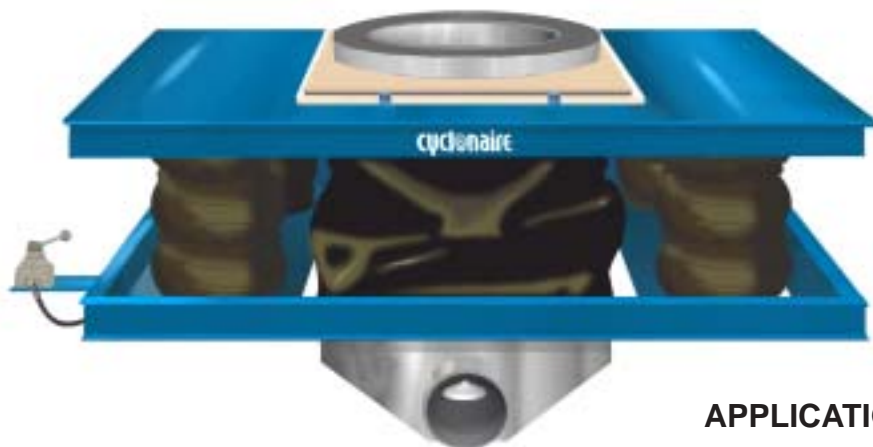




PNEUMATIC CONVEYING SYSTEMS

# CYCLOLIFT™

## Railcar/Truck Connector



### OVERVIEW

The CycloLift provides fast, safe, positive seal of the conveying equipment to covered hopper bottom railcar outlets.

The pneumatic lifting boots allow the assembly to raise with the railcar hopper as it empties, maintaining the positive seal against the hopper. Railcar hopper outlet sizes vary, so adapter plates are custom-designed for each outlet configuration. Multiple adapter plates may be required for some applications.

Quality, custom built at competitive prices.

### APPLICATIONS

- Appropriate for use with a wide range of pneumatic or mechanical convey systems

### MATERIALS / CHARACTERISTICS

- Any material unloaded by hopper bottom railcar

### BENEFITS AND FEATURES

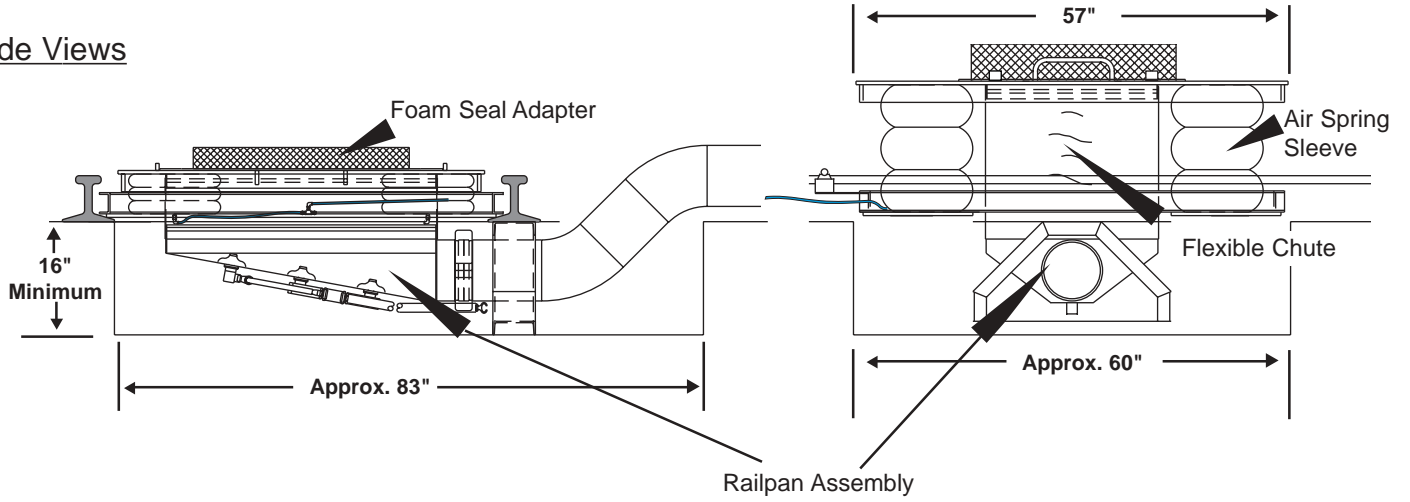
- Industrial-grade, welded and bolted carbon steel construction
- Extremely heavy-duty flexible reinforced rubber material chute, bolted to lifting framework and material pan
- Two-way adjustable inlet plate to allow perfect alignment without precisely spotting the railcar
- Square, round, or rectangular custom-designed inlet to match your application
- Removable hopper inlet adapter plate available in a extensive range of sizes
- Adapter plate is fitted with a foam seal to match hopper opening, designed to minimize product leakage between the hopper outlet and the lifter assembly
- Manually-operated pneumatic control valve for raising and lowering the connector
- Totally collapsible—prevents inference with moving railcars

### REQUIREMENTS

- Shallow installation pit
- Clean, dry compressed air source

# CYCLOLIFT™

## Side Views



## Top View

