



PNEUMATIC CONVEYING SYSTEMS

## CYCLOLOK Conveyor



### OVERVIEW

The Cyclolok is a gravity loaded, bottom discharged low volume, dense phase conveyor with only one moving part. It is best suited for highly abrasive and friable materials in especially harsh environments, such as high temperature dust reclaim. Capacity is rated to 2+ TPH; temperature is rated to 450°F.

This unit is simple to install and maintain and uses minimal high pressure plant air.

Solid state controls offer reduced supervision for automated operations.

### APPLICATIONS

- Dust reclaim / Low volume transfer / Harsh environments
- Top gravity loading / bottom discharge
- High material-to-air ratios and low convey line velocities

### MATERIALS / CHARACTERISTICS

- Any abrasive, friable or fragile material, including high temperatures (up to 450°F)

### CAPACITY

- 2+ TPH

### BENEFITS AND FEATURES

- Dense phase conveyor for low volume applications which, due to only one moving part, will withstand the most harsh and inhospitable environments.
- Top gravity load via single inlet / bottom discharge
- Simple controls
- Specify: Carbon steel, stainless steel or epoxy coated

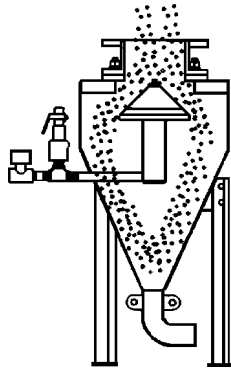
### REQUIREMENTS

- 120 VAC, 50-60 Hzm
- 20-80 PSIG convey air; 80-100 PSIG control air @ 5-10 SCFM

# CYCLOLOK<sup>®</sup> CONVEYOR

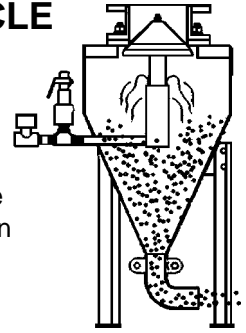
## LOAD CYCLE

In the load cycle, the inlet valve is open and the air supply valve is closed. Material flows by gravity into the vessel. At a predetermined time interval, the load cycle ends.



## DISCHARGE CYCLE

As the discharge cycle begins, the air supply valve opens. The air rushing into the tank forces the inlet valve closed. The same air pressurizes the vessel, forcing the material into the convey line. When the vessel is empty the air valve closes, returning the unit to the load cycle.



## PRODUCT SPECIFICATIONS

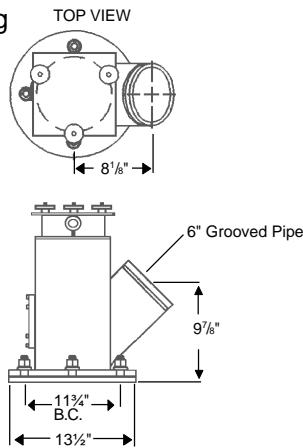
Convey Line Size: 2½" Diameter  
 Operating Pressure: 80-90 PSIG  
 Air Usage Per Cycle (MP-1): 20-30 SCF  
 Air Usage Per Cycle (MP-3): 60-90 SCF

## POWER REQUIREMENTS

Air Supply: Minimal high pressure air  
 Electrical Supply: 120 volt 60 cycle  
 Electrical Controls: Consist of two timing relays with a 3-position selector switch in a NEMA 4 enclosure.

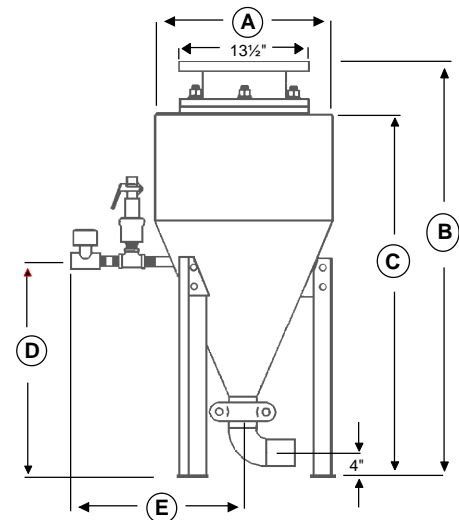
### Inlet Head Adapter Options Available\*

The offset inlet adapter is required any time the material depth above CYCLOLOK exceeds 6-12 inches or when the conveying material particle size is larger than 50 mesh.



MODEL NUMBER	A	B	C	D	E
MP-1/18	18	36	31	17	16
MP-3/18	18	50	45	32	19
MP-3/24	24	42	38	24	23

NOTE: Dimensional data for reference only and subject to change without notice. All weights are in pounds, all dimensional units are in inches, unless noted.



## CYCLOLOK<sup>®</sup> TRANSFER

