



LD3xi™

Process Tank Weighing for Wet-to-Sanitary Operating Conditions

.....
TECHNICAL SPECIFICATIONS



FEATURES AND BENEFITS

Cleanability and Strength For CIP/SIP

Built-in vessel hold-down eliminates mechanical pivot points, a source of bacteria traps and system errors caused by hardware gradually binding. Less operator time spent cleaning.

NEMA-6P / IP68 Submersion Rating, 17-4 ph 900 SS Construction

Unsurpassed waterproof protection and corrosion resistance for long life in rigorous CIP wash down areas. First load cell ever with a sealed cabling system option.

Minimal Deflection

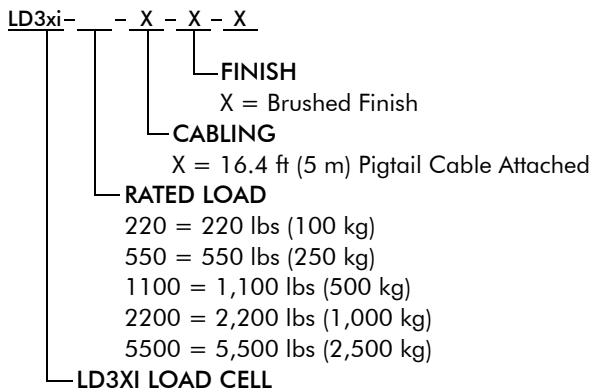
Better system performance on tanks with pipes and process plumbing connections.

The LD3xi™ shares many common features to Kistler-Morse's LD360s but features higher accuracies for smaller-capacity weighing applications and is available in weight ranges between 220 lbs. and 5,500 lbs.

The LD3xi™ is a rugged, stainless steel load cell for in-process tanks and bulk storage vessels. It combines vessel "hold-down" with cleanability. It continuously measures the weight of the tank, providing batching information control, and supplies material-on-hand information for a variety of applications.

Its sealed, stainless steel construction, as well as its unique NEMA-6P rated cable system, makes the LD3xi™ ideal for use in high-pressure, wash-down environments where cleaning and sanitizing chemicals are used. The LD3xi™ is particularly suitable for use on mixing and blending vessels, surge hoppers and vessels with agitators.

HOW TO ORDER



SPECIFICATIONS

FUNCTIONAL

| | |
|----------------------------|--|
| Excitation Voltage | Operating Range: 5 VDC - 15 VDC |
| Maximum Current | 16 mA @ 10 VDC excitation |
| Input Resistance | 700 ohms \pm 2% |
| Recommended Supply Voltage | 10 VDC |
| Compression | 3 x Rated Load |
| Tension | 1 x Rated Load |
| Shear | 220 to 5000 lb Capacity: 0.5 x Rated Load |
| Functional Integrity | 1.5 x Rated Load (compression) |

PERFORMANCE

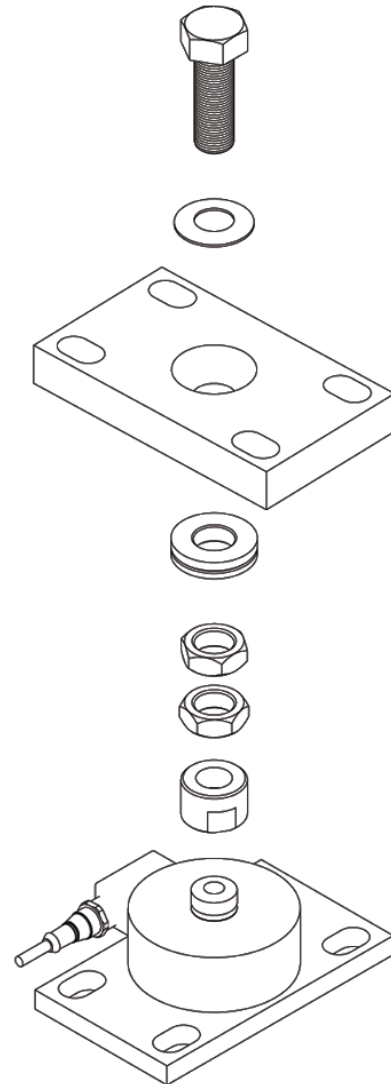
| | |
|-----------------------------------|--|
| Non-linearity/Hysteresis Combined | 0.03% Rated Load |
| Return to Zero | Over 30 min: 0.026% Rated Load |
| Creep | Over 30 min: 0.028% Rated Load, Over 20 & 30 min: 0.008% Rated Output |
| Zero Balance | 1% Rated Output |
| Rated Output | 2 mV/V \pm 0.1% |
| Deflection | 0.004"-0.008" for capacities 220 to 5500 lb |

PHYSICAL

| | |
|-----------------|---|
| Temperature | Standard: 14° to 104° F (-10° to 40° C) |
| | Sensitivity change: 0.00094%/° F (0.0017%/° C) |
| | Zero shift: 0.0013%/° F (0.0024%/° C) |
| Humidity | Storage Range: -4° to 176° F (-20° to 80° C) |
| | 100% |
| Rating | IP68 (100h at 1m water column) |
| Construction | 17-4 PH 900 stainless steel |
| Cable | 4-conductor, 22 gage shielded, 16 ft (5m) long, with tinned pigtail termination |
| Shipping Weight | 5 lbs. (2.53 kg) |

DIMENSIONS

| | |
|-----------------------------------|--|
| Base Plate Size Length x Width | 6" x 3 1/2" (152.4 mm x 88.9 mm) |
| Installed Height | LD3xi™ w/UA3xi: 2 3/4" (69.3 mm) LD3xi™ w/LT3xi: min=5" (127 mm), max=5 17/100" (131.3 mm) |
| Top Plate Size Length x Width | UA3xi: 6" x 3 1/2" (152.4 mm x 88.9 mm) LT3xi: 6" x 3 1/2" (152.4 mm x 88.9 mm) |



LD3xi with LT3xi Leveling Top Adapter Plate