

SHUR-SHOT LOADER

ECONOMICAL, AT THE THROAT
MACHINE LOADING

SIMPLE OPERATION,
LOW MAINTENANCE

- No climbing on machine to clean or fill hopper
- Easily Accessible
- Simple installation
- Quiet operation
- Easy to clean, no tools required
- Provides material as needed
- Custom options available

PNEU-CON
PNEUMATIC
CONVEYING, INC.

ONTARIO, CA 91761

(909) 923-4481



SHUR-SHOT



Clean Room Operation



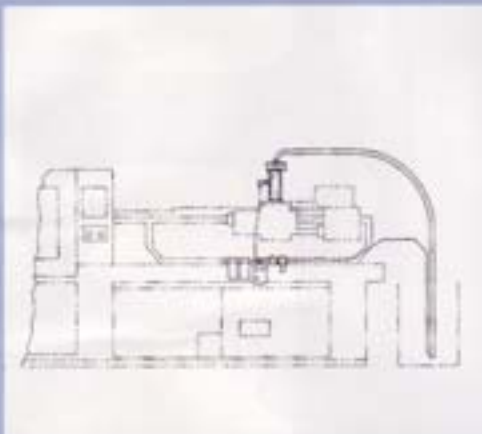
Magnet Protection



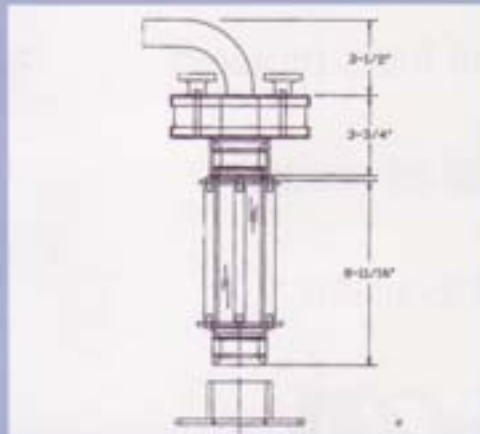
Expansion Hoppers



Washable Filter



Represented by:



Pneu-Con systems are available with capacities to fit a vast majority of production needs.

Features include:

- > Anodized Aluminum construction.
- > Transparent receiver in Pyrex or acrylic.
- > Oversized filter element.
- > Adjustable capacitance probe with mini change connector.
- > NEMA control box with switch and status lights.
- > Loads up to 250 lbs/hr of mat'l on an as needed basis.

Accelerator:

- > Annular orifice converts compressed air (14scfm at 100 psi) to product mover, accelerates product to conveying velocity.
- > 10 feet of air hose included to connect control box to pick up lance.

OPTIONAL:

- > T304 stainless steel construction.
- > Oversized filter.
- > Expansion hopper.
- > Clean-Room operation.
- > Drying hopper.
- > Magnet protection.

PNEUMATIC CONVEYING INC.

1853 S. CAMPUS AVE., ONTARIO, CA 91716 (909) 923 4481 FAX (909) 923-4491 TOLL FREE 800-655-4481