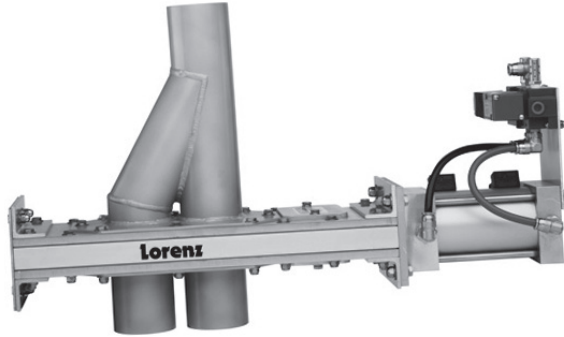
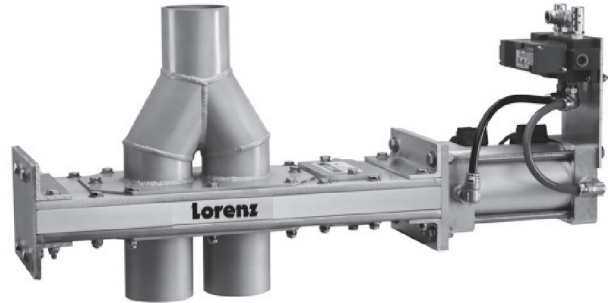


2 Way Diverter Valves - Series "D"

Straight Configuration - ST



Wye Configuration - Y



Available in sizes from 2" up to 12"

Pneumatic actuated 2 Way Diverter Valve for vacuum or low pressure* conveying systems

Inlets & Outlets available in Tube & Pipe sizes in Stainless Steel, Aluminum & Carbon Steel

*(Dilute phase up to 15 psig max.)

Standard Features

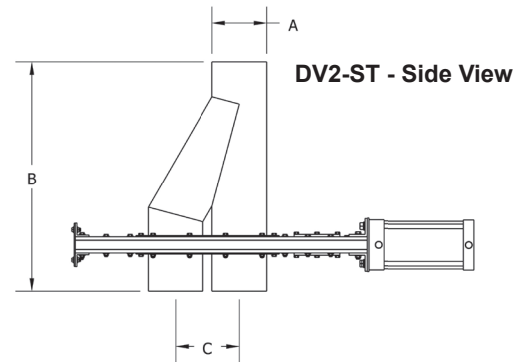
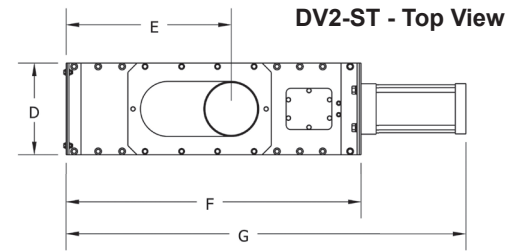
- Positive Blade Lock (PBL) between blade & cylinder rod
 - Internal magnetic piston, cushioned air cylinder
- Polished stainless steel blade • Active Compression Seals (ACS)
- Light weight aluminum body construction • Temperature rated for up to 82° C (180° F)
 - Ceramic Lined or Ceram Wrapped inlets/outlets
- Wall thickness of 16, 14, & 11 gauge, schedule 10, 40 & 80
 - Fully tested prior to shipping

2 Way Diverter Valves - Series "D"

DV2									
Size	A	B(ST)	C	D	E (ST)	F	G	H(Y)	I(Y)
150	1.50	13.70	2.50	5.00	6.88	14.00	20.25	11.27	5.63
200	2.00	13.70	2.50	5.00	6.88	14.00	20.75	11.53	5.63
225	2.25	15.70	3.50	6.00	9.40	18.38	26.13	12.03	7.65
2375	2.38	18.10	3.50	6.00	9.44	18.38	26.13	15.15	7.69
250	2.50	15.65	3.50	6.00	9.44	18.38	26.13	12.03	7.69
2875	2.88	16.50	3.50	6.00	9.44	18.38	26.13	15.15	7.69
300	3.00	15.53	3.50	6.00	9.44	18.38	26.13	12.62	7.69
350	3.50	23.53	5.00	7.00	12.88	23.63	32.88	18.37	10.38
400	4.00	19.53	5.00	7.00	12.88	23.63	32.88	14.46	10.38
450	4.50	25.15	6.00	9.00	15.88	28.56	39.06	19.78	12.88
500	5.00	22.65	6.00	9.00	15.88	28.56	39.06	18.38	12.88
5563	5.56	27.15	7.00	10.00	18.13	31.30	41.80	21.28	14.63
600	6.00	25.15	7.00	10.00	18.13	32.30	43.80	19.77	14.63
6625	6.63	26.90	10.00	11.00	26.50	44.90	59.40	22.40	21.50
800	8.00	32.15	10.00	12.00	25.84	44.30	58.80	28.15	20.84
8625	8.63	32.78	12.00	14.00	30.50	51.70	68.70	27.91	24.50
1000	10.00	38.50	14.00	15.75	35.25	59.30	78.30	31.28	28.25
1075	10.75	38.50	14.00	15.75	35.25	59.30	78.30	32.03	28.25
1200	12.00	42.70	17.00	16.50	41.31	68.75	90.75	33.91	32.81

All dimensions approximate and subject to change

Straight Configuration - ST



Options

- Position switches 5 volt to 240 volt AC/DC
- Manual hand crank, hand wheel or chain wheel operation
- Proximity switches
- Special seal configurations
- Oversized cylinders
- Solenoids 110 volt AC or 24 volt DC
- Valve body sealed for air purging
- NEMA 7-9 hazardous locations
- Inlets/outlets - straight or flanged ends
- Double acting or single acting spring return solenoid or manual lever valve
- High temperature modifications
- Electric actuation
- Prewired terminal boxes
- Abrasion resistant options available

Wye Configuration - Y

