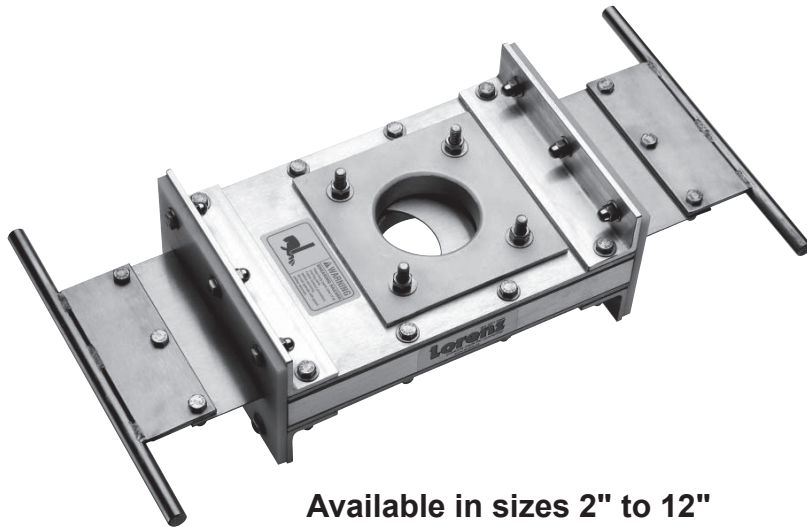


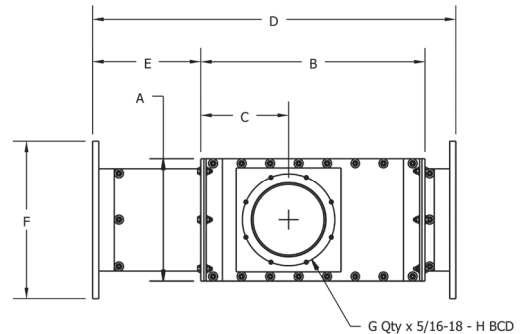
Push-Pull Slide Gate - Series "E"

For Gravity Flow Applications and Vacuum

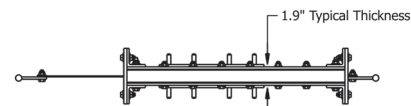


Available in sizes 2" to 12"

LSP Flanged
Top View



Side View



SGPP											
Size	A	B	C	D	E	F	G (qty) x 5/16-18	H	I	J (qty) x . 563Ø	K
200	5.50	8.75	3.88	16.25	4.89	8.63	4	3.88	5.50	2	4.75
300	7.00	10.88	4.63	19.25	5.83	10.13	4	5.00	6.75	2	6.00
400	8.00	13.00	5.00	22.50	7.00	11.13	6	5.50	7.68	4	7.50
500	7.50	16.63	6.00	27.13	8.00	12.13	8	6.50	8.60	4	8.50
600	10.00	18.25	7.13	29.75	9.00	12.88	8	7.50	9.53	4	9.50
800	12.00	22.13	8.00	35.63	11.00	14.88	8	9.50	11.63	4	11.75
1000	14.00	26.25	9.00	41.90	13.00	16.88	8	11.50	14.50	4	14.25
1200	16.00	30.13	10.00	47.63	15.00	18.88	12	13.81	17.42	4	17.00

All dimensions approximate and subject to change

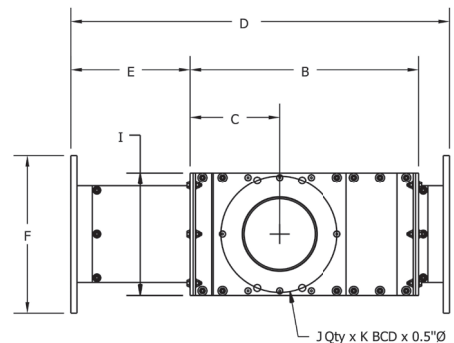
Standard Features

- Stainless steel material contact points
 - Dust tight seals
- Lightweight aluminum frame, corrosion resistant
 - Rated for 82° (180°F)

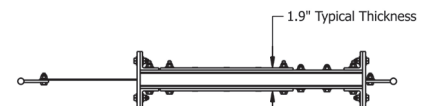
Options

- 316 stainless material contact
- High temperature service
 - Tube stub adapters
 - Special service inlet

Bolt Thru Pipe Flange Connection
Top View



Side View

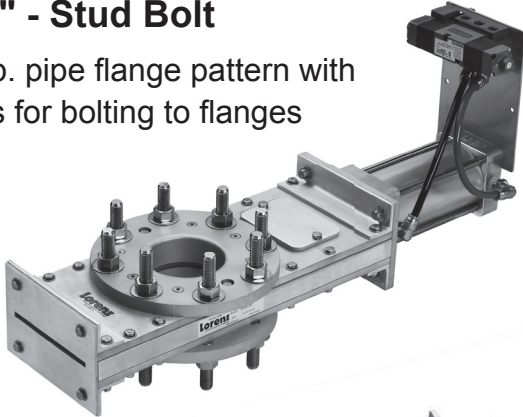


Series "E" Slide Gate

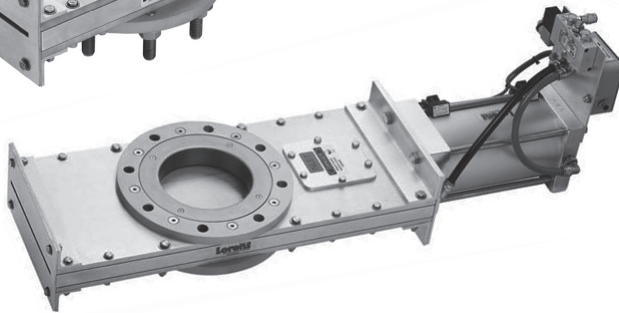
Pneumatic actuated Slide Gate for vacuum, low pressure (dilute phase)* and gravity conveying systems

"SB" - Stud Bolt

150lb. pipe flange pattern with studs for bolting to flanges



"BTV" - Bolt Through Valve



"BBH" - Blind Bolt Hole

150lb. pipe flange pattern with tapped holes for mounting between flanges

*(Dilute phase up to 15 psig max.)

Standard Features

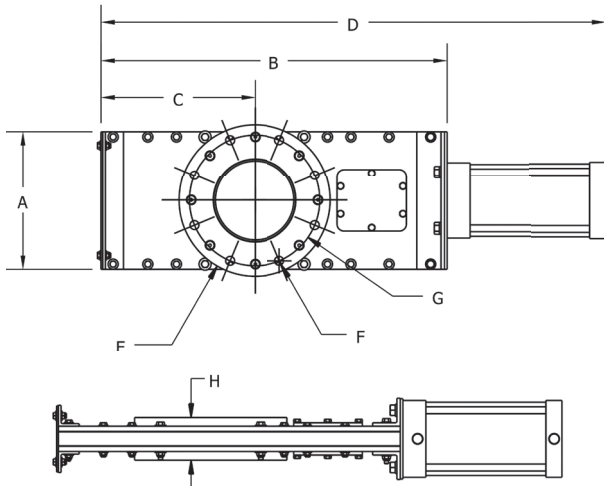
- Positive Blade Lock (PBL) between blade & cylinder rod
 - Internal magnetic piston, cushioned air cylinder
- Polished stainless steel blade • Active Compression Seals (ACS)
- Light weight aluminum body construction • Temperature rated for up to 82° C (180° F)
 - Wall thickness of 16, 14, & 11 gauge, schedule 10, 40 & 80
 - Fully tested prior to shipping

Options

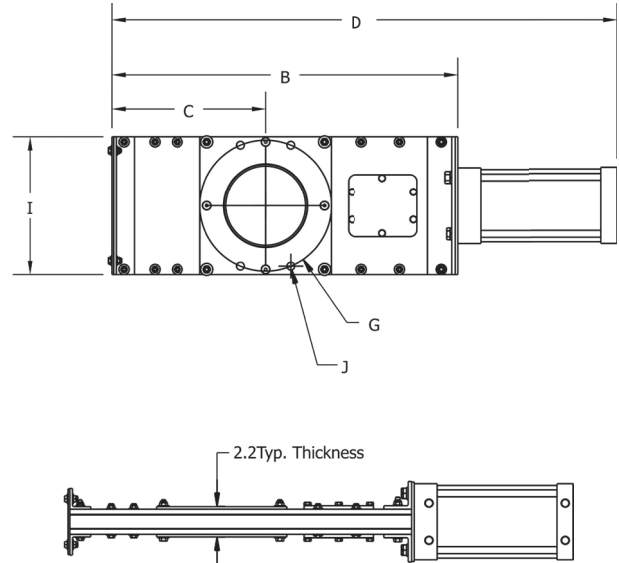
- Position switches 5 volt to 240 volt AC/DC
- Proximity switches
- Oversized cylinders
- Valve body sealed for air purging
- High temperature modifications
- Manual hand crank, hand wheel or chain wheel operation
- Prewired terminal boxes
- Special seal configurations
- Solenoids 110 volt AC or 24 volt DC
- Double acting or single acting spring return solenoid or manual lever valve
- NEMA 7-9 hazardous locations
- Electric actuation
- Special service inlet

Series "E" Slide Gate

"BBH" - Blind Bolt Hole & "SB" - Stud Bolt



"BTV" - Bolt Through Valve



BBH/SB/BTV										
SG2- SIZE	A	B	C	D	E	F	G	H	I	J
150	5.00	11.75	4.69	17.97	5.00	4x1/2-13	3.88	3.10	4.63	2 x 0.44
200	5.00	11.72	4.69	17.97	6.00	4x5/8-11	4.75	3.10	5.50	2 x 0.44
225	6.00	14.47	5.75	21.72	6.00	4x5/8-11	4.75	3.10	5.50	2 x 0.44
2375	6.00	14.47	5.75	21.72	6.00	4x5/8-11	4.75	3.10	5.50	2 x 0.44
250	6.00	14.47	5.75	21.72	7.00	4x5/8-11	5.50	3.10	6.25	2 x 0.44
2875	6.00	14.47	5.75	21.72	7.00	4x5/8-11	5.50	3.10	6.25	2 x 0.44
300	6.00	14.63	5.88	21.88	7.50	4x5/8-11	6.00	3.10	6.75	2 x 0.44
350	7.00	18.62	7.87	27.87	7.50	4x5/8-11	6.00	3.10	6.75	2 x 0.44
400	7.00	18.62	7.87	27.87	9.00	8x5/8-11	7.50	3.10	7.50	4 x 0.44
450	9.00	21.06	8.50	30.81	9.00	8x5/8-11	7.50	3.10	7.50	4 x 0.56
500	9.00	23.25	10.16	34.00	10.00	8x3/4-10	8.50	3.10	9.00	4 x 0.56
5563	9.00	23.25	10.16	34.00	10.00	8x3/4-10	8.50	3.10	9.00	4 x 0.56
600	10.00	25.06	11.13	35.56	11.00	8x3/4-10	9.50	3.10	10.00	4 x 0.56
6625	10.00	26.78	12.00	38.78	11.00	8x3/4-10	9.50	3.10	10.00	4 x 0.56
800	12.00	31.06	14.13	44.56	13.50	8x3/4-10	11.75	3.10	12.00	4 x 0.56
8625	12.00	31.69	14.44	45.19	13.50	8x3/4-10	11.75	3.10	12.00	4 x 0.56
1000	14.00	37.56	17.38	53.06	16.00	12x3/4-10	14.25	3.31	14.75	4 x 0.56
1075	16.00	44.47	21.00	60.97	16.00	12x7/8-9	14.25	3.31	14.75	4 x 0.56
1200	16.00	44.72	21.00	62.22	19.00	12x7/8-9	17.00	3.31	17.50	4 x 0.56
1275	16.00	46.72	22.00	65.22	19.00	12x7/8-9	17.00	3.31	17.50	4 x 0.56
1400	18.00	50.25	23.78	69.75	21.00	12x1-8	18.75	3.31	19.00	4 x 0.56

All dimensions approximate and subject to change

All dimensions in inches

Series "E" Slide Gate

Pneumatic actuated Slide Gate for vacuum, low pressure (dilute phase)* and gravity conveying systems

"TPS" - Tube & Pipe Stubs

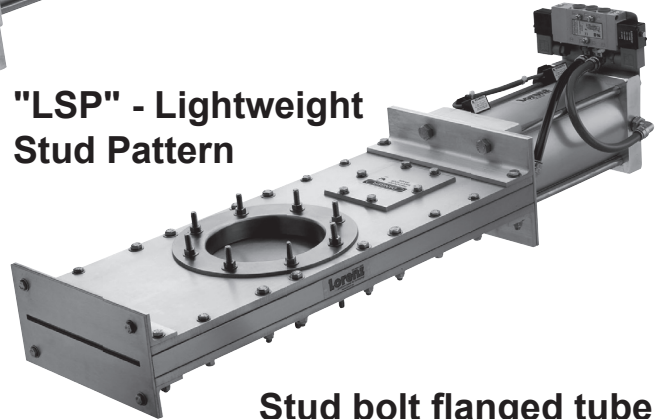


**Tube & Pipe Stubs for
compression couplings**

**Pneumatic actuated Slide Gate
for vacuum, low pressure* and
gravity conveying systems**

*(Dilute phase up to 15 psig max.)

"LSP" - Lightweight Stud Pattern



**Stud bolt flanged tube
connection for light duty
applications**

Standard Features

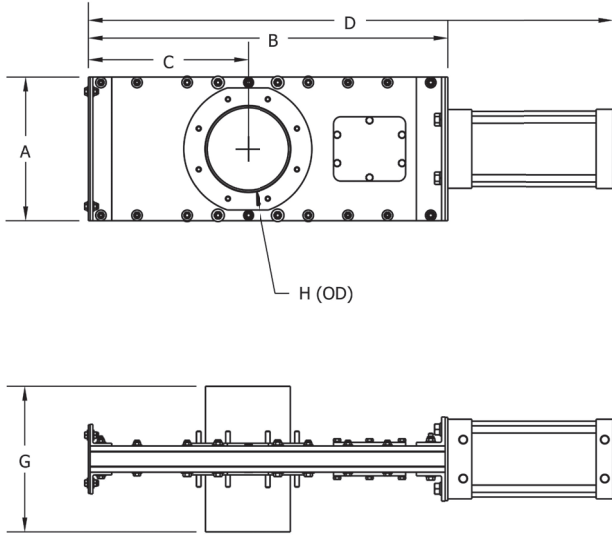
- Positive Blade Lock (PBL) between blade & cylinder rod
 - Internal magnetic piston, cushioned air cylinder
- Polished stainless steel blade • Active Compression Seals (ACS)
- Light weight aluminum body construction • Temperature rated for up to 82° C (180° F)
- Wall thickness of 16, 14, & 11 gauge, schedule 10, 40 & 80
 - Fully tested prior to shipping

Options

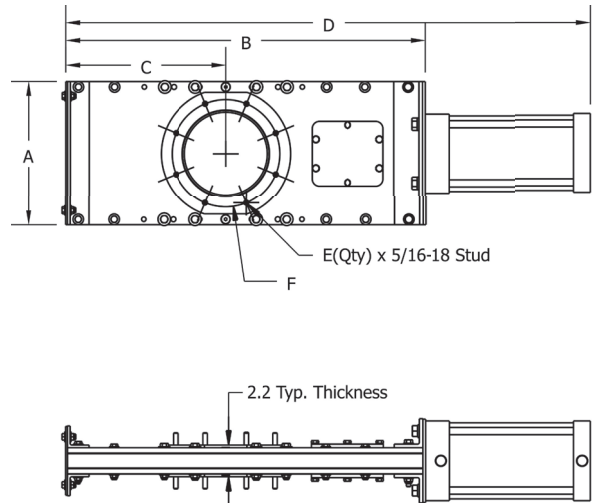
- Position switches 5 volt to 240 volt AC/DC
- Proximity switches
- Oversized cylinders
- Valve body sealed for air purging
- High temperature modifications
- Manual hand crank, hand wheel or chain wheel operation
- Prewired terminal boxes
- Special seal configurations
- Solenoids 110 volt AC or 24 volt DC
- Double acting or single acting spring return solenoid or manual lever valve
- NEMA 7-9 hazardous locations
- Electric actuation
- Special service inlet

Series "E" Slide Gate

"TPS" - Tube & Pipe Stubs



"LSP" - Lightweight Stud Pattern



LSP/TPS								
SG2- SIZE	A	B	C	D	E (Qty) x 5/16-18 (LSP)	F	G(TPS)	H
150	5.00	11.75	4.69	17.97	4.0	3.88	8.06	1.50
200	5.00	11.72	4.69	17.97	4.0	3.88	8.06	2.00
225	6.00	14.47	5.75	21.72	4.0	3.88	8.06	2.50
2375	6.00	14.47	5.75	21.72	4.0	3.88	8.06	2.38
250	6.00	14.47	5.75	21.72	4.0	3.88	8.06	2.50
2875	6.00	14.47	5.75	21.72	4.0	3.88	8.06	2.88
300	6.00	14.63	5.88	21.88	4.0	5.00	8.06	3.00
350	7.00	18.62	7.87	27.87	4.0	5.00	12.06	3.50
400	7.00	18.62	7.87	27.87	6.0	5.50	8.06	4.00
450	9.00	21.06	8.50	30.81	6.0	5.50	10.06	4.50
500	9.00	23.25	10.16	34.00	8.0	6.50	10.06	5.00
5563	9.00	23.25	10.16	34.00	8.0	6.50	10.06	5.56
600	10.00	25.06	11.13	35.56	8.0	7.50	10.06	6.00
6625	10.00	26.78	12.00	38.78	8.0	7.50	14.06	6.63
800	12.00	31.06	14.13	44.56	8.0	9.50	18.06	8.00
8625	12.00	31.69	14.44	45.19	8.0	9.50	18.06	8.63
1000	14.00	37.56	17.38	53.06	8.0	11.50	18.06	10.00
1075	16.00	44.47	21.00	60.97	8.0	11.50	18.06	10.75
1200	16.00	44.72	21.00	62.22	12.0	13.81	18.06	12.00
1275	16.00	46.72	22.00	65.22	12.0	13.81	18.06	12.75
1400	18.00	50.25	23.78	69.75	12.0	16.00	18.06	14.00

All dimensions approximate and subject to change

All dimensions in inches