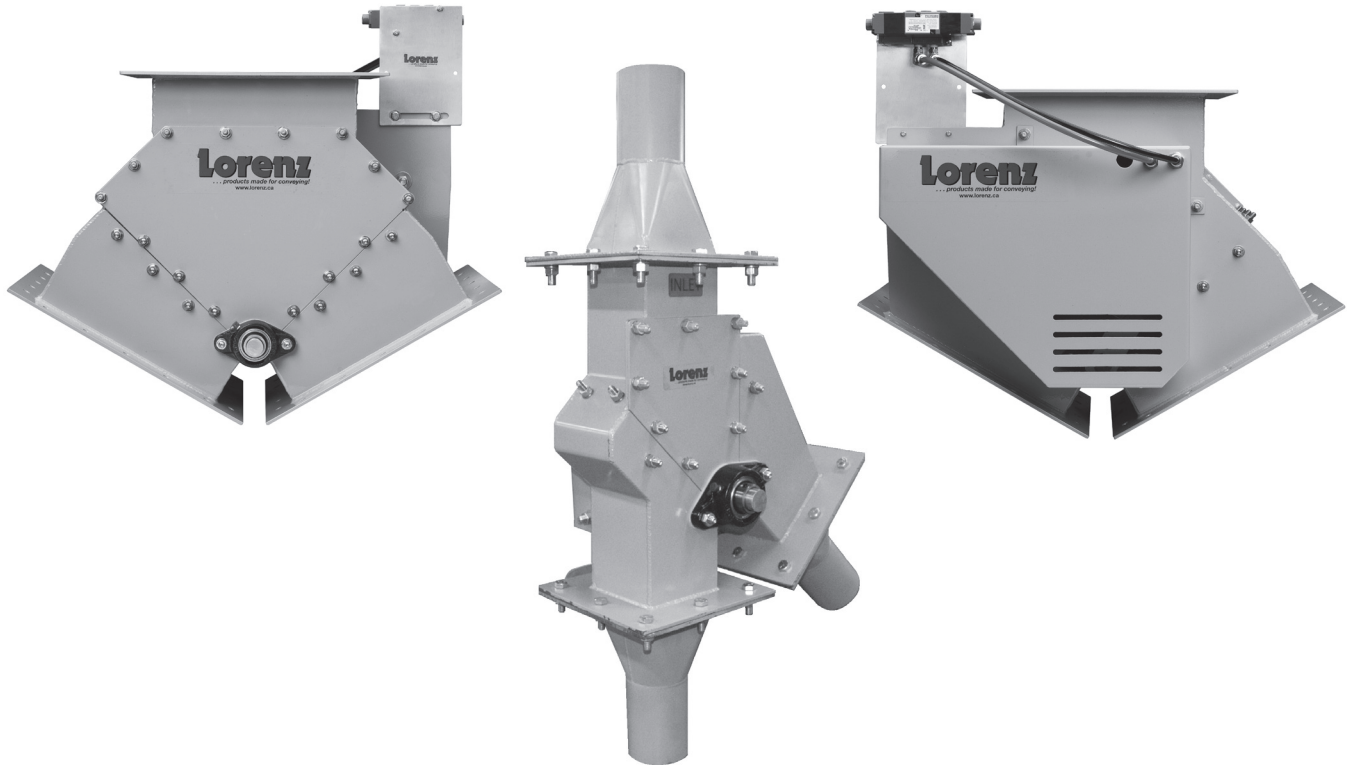


2 Way Gravity Diverters - Sealed Units Series "L"



Standard Features

- For dry gravity flow applications providing a seal to the atmosphere
- Sizes 4" up to 30" • Stainless steel, carbon steel and aluminum construction
 - All valves come with square inlets and outlets standard
- Blade pocket protects leading edge of blade from wear and directs flow of material away
 - Replaceable active compression shaft seal and urethane blade seal
- Suitable for up to 104°C (220°F) • Removable door for cleaning and seal replacement

Options

- Square to round transitions available
 - Quick access removable door for cleaning and seal replacement
- Solenoids - double or single acting 110 volt AC & 24 volt DC NEMA 4 (NEMA 7/9 available)
- High temperature modifications available • Electric actuation • Prewired terminal box
 - Manual hand lever actuation

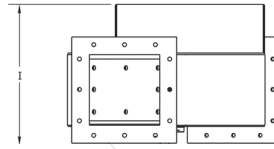
2 Way Gravity Diverters - Sealed Units Series "L"

ST Configuration

GDS2-ST									
Size	A	B	C	D	E	F	G	H	I
400	15.25	8.00	15.46	13.25	15.25	8.00	14.83	12.42	11.50
600	20.50	10.50	19.83	18.00	18.00	9.75	18.29	14.50	13.50
800	24.00	12.50	23.70	21.00	21.00	11.50	21.74	16.76	15.50
1000	25.50	14.75	27.81	22.00	23.00	13.00	24.95	18.05	17.50
1200	28.50	16.00	30.87	24.50	26.00	14.75	28.36	20.34	19.50
1400	31.50	18.00	34.79	27.00	29.00	16.50	31.86	22.64	21.50
1600	35.00	20.00	38.66	30.00	32.50	18.50	35.57	25.43	23.50
1800	38.50	22.00	42.53	33.00	36.00	20.50	39.28	28.22	25.50
2000	42.00	24.00	46.39	36.00	39.50	22.50	42.99	31.02	27.50
2200	45.50	26.00	50.26	39.00	43.00	24.50	46.69	33.81	29.50
2400	49.00	32.00	59.06	41.75	46.50	27.00	51.75	36.25	31.50
2600	52.50	30.00	58.92	44.75	50.00	29.00	55.46	39.04	33.50
2800	56.00	32.00	62.79	47.75	53.00	31.00	59.17	41.33	35.50
3000	59.50	34.00	66.66	50.75	54.00	31.88	61.75	41.63	37.50

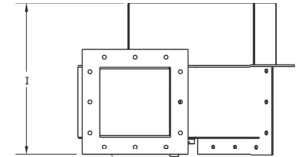
All dimensions approximate and subject to change

30° Top View



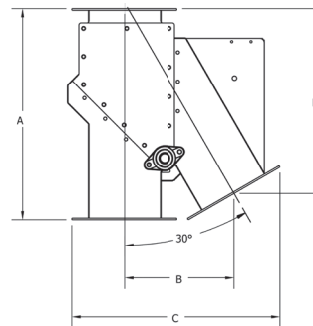
Series "L" - Standard Flange Pattern

45° Top View

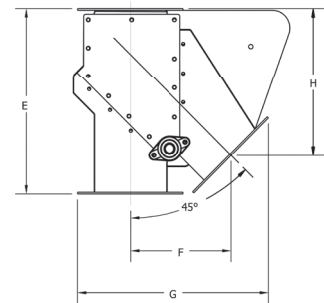


Series "L" - Standard Flange Pattern

30° Side View



45° Side View

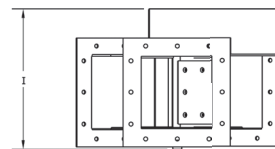


Y Configuration

GDS2-Y									
Size	A	B	C	D	E	F	G	H	I
400	10.50	12.50	9.00	15.93	9.00	11.83	7.50	13.16	11.50
600	11.50	14.00	10.00	18.66	10.25	13.79	9.00	16.07	13.50
800	13.50	16.50	12.00	22.39	11.50	15.74	10.50	18.99	15.50
1000	15.00	19.00	13.50	25.62	13.00	17.95	12.00	21.89	17.50
1200	17.00	21.00	15.50	29.36	14.25	19.91	13.50	24.81	19.50
1400	19.00	23.50	17.50	33.09	15.75	22.11	14.50	27.23	21.50
1600	20.50	25.50	19.00	36.32	17.00	24.07	16.00	30.14	23.50
1800	21.50	27.00	21.00	40.05	19.00	26.78	19.00	34.56	25.50
2000	23.00	29.00	23.00	43.79	21.50	29.99	22.00	38.97	27.50
2200	25.00	31.50	25.00	47.52	23.00	32.19	24.00	42.39	29.50
2400	28.50	35.75	27.00	52.12	25.50	35.75	29.00	49.51	31.50
2600	30.00	37.75	29.00	55.85	27.00	37.25	31.00	51.51	33.50
2800	31.00	39.25	31.00	59.58	29.00	40.67	33.00	56.34	35.50
3000	33.00	41.75	33.00	63.31	30.50	42.87	35.00	59.75	37.50

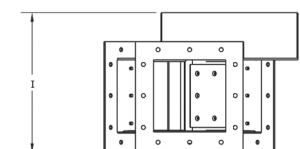
All dimensions approximate and subject to change

30° Top View



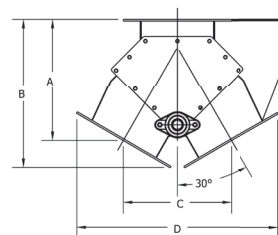
Series "L" - Standard Flange Pattern

45° Top View

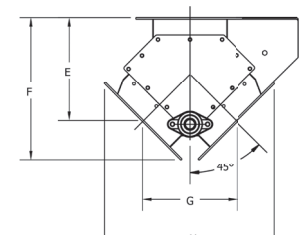


Series "L" - Standard Flange Pattern

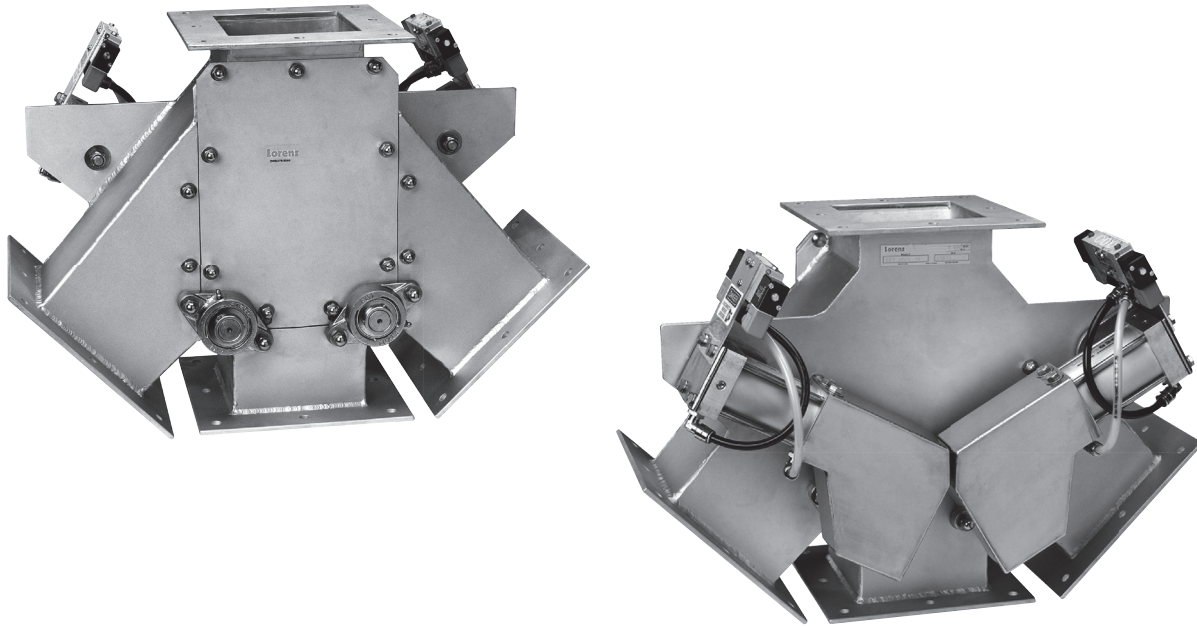
30° Side View



45° Side View



3 Way Gravity Diverters - Sealed Units Series "L"



Standard Features

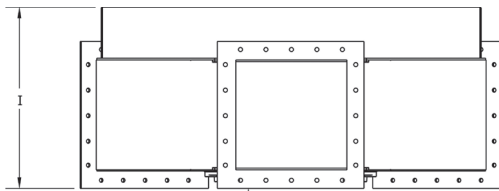
- For dry gravity flow applications providing a seal to the atmosphere
- Sizes 4" up to 18" • Stainless steel, carbon steel and aluminum construction
 - All valves come with square inlets and outlets standard
- Blade pocket protects leading edge of blade from wear and directs flow of material away
 - Replaceable active compression shaft seal and urethane blade seal
- Suitable for up to 104°C (220°F) • Removable door for cleaning and seal replacement

Options

- Square to round transitions available
 - Quick access removable door for cleaning and seal replacement
- Solenoids - double or single acting 110 volt AC & 24 volt DC NEMA 4 (NEMA 7/9 available)
- High temperature modifications available • Electric actuation • Prewired terminal box
 - Manual hand lever actuation

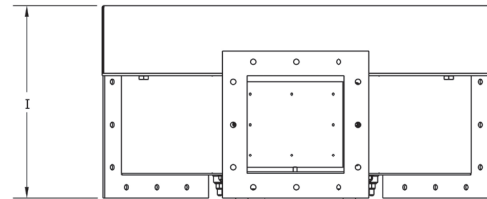
3 Way Gravity Diverters - Sealed Units Series "L"

30° Top View



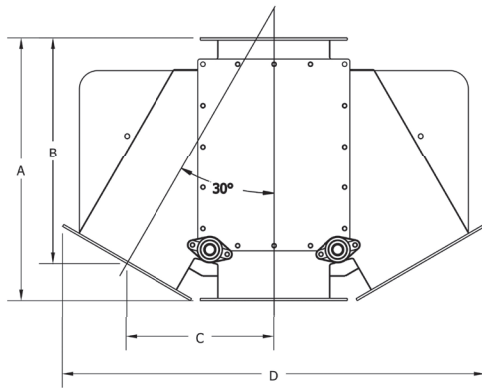
Series "L" - Standard Flange Pattern

45° Top View

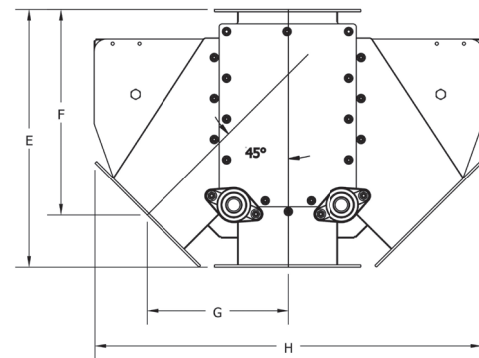


Series "L" - Standard Flange Pattern

30° Side View



45° Side View



GDS3									
Size	A	B	C	D	E	F	G	H	I
4	15.25	13.25	8.00	22.93	15.25	12.42	8.00	21.66	11.50
6	20.50	18.00	10.50	29.66	18.00	14.50	9.75	26.57	13.50
8	24.00	21.00	12.50	35.39	21.00	16.76	11.50	31.49	15.50
10	25.50	22.00	14.75	41.62	23.00	18.05	13.00	35.90	17.50
12	28.50	24.50	16.00	45.86	26.00	20.34	14.75	40.81	19.50
14	31.50	27.00	18.00	51.59	29.00	22.64	16.50	45.73	21.50
16	35.00	30.00	20.00	57.32	32.50	25.43	18.50	51.14	23.50
18	38.50	33.00	22.00	63.05	36.00	28.22	20.50	56.56	25.50

All dimensions approximate and subject to change