

2/3-TDV



- USDA Dairy Accepted versions available
- Available with 2 or 3 ports
- Smooth product contact surfaces
- Inflatable seals
- Pressure from -11.6 up to 43.5 PSI
- Multiple choice of line connections
- Minimised product degradation
- Converging and diverging applications
- Easy detachable construction
- Temperature range -4 °F up to +212 °F
- All stainless and aluminium stainless configurations
- Versions conforming to ATEX 94/9/EC available



2/3-TDV tube diverter

The 2-TDV and 3-TDV transport pneumatically conveyed products in powder or pellet form to or from two respectively 3 destinations (diverging or converging). The 2-TDV and 3-TDV are compactly designed and by using an additional line cylinder on the 3-TDV very accurate positioning is achieved.

The diverters are designed to be easily removed from the line for cleaning (COP – cleaning out of place). It is also possible to purge the individual conveying lines with a cleaning liquid without removing the diverter from the line (CIP – cleaning in place). Removal from the line is only necessary when a complete cleaning operation is required. This gives the customer the option to choose a cleaning method tailored to suit their process.

The 2/3-TDV and M-TDV tube diverter range includes USDA Dairy Accepted models.

Product information

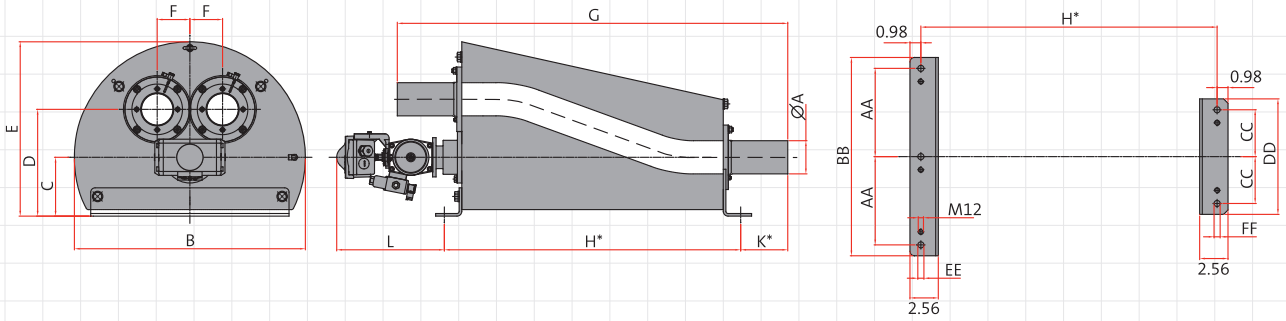
The whole range of tube diverters (2-, 3- and M-TDV) are of a sanitary design and have stainless steel AISI 316 product contact parts with a multiple choice of line connections, ranging from a simple pipe connection to a milk coupling. The swan neck pipe connecting the inlet to outlets is designed to give minimum product degradation in both conveying directions. All conveying lines that are not in use are also sealed at the diverter outlet. This ensures that there is no air or product leakage from destinations that are not being used.

The uniquely designed seal that has already been proven on the M-TDV is also being used on the 2- and 3-TDV. This seal is made from white EPDM and is very easy to fit and clean, and being inflatable guarantees absolutely tight sealing in the conveying line up to 43.5 PSI. This also applies to liquids.

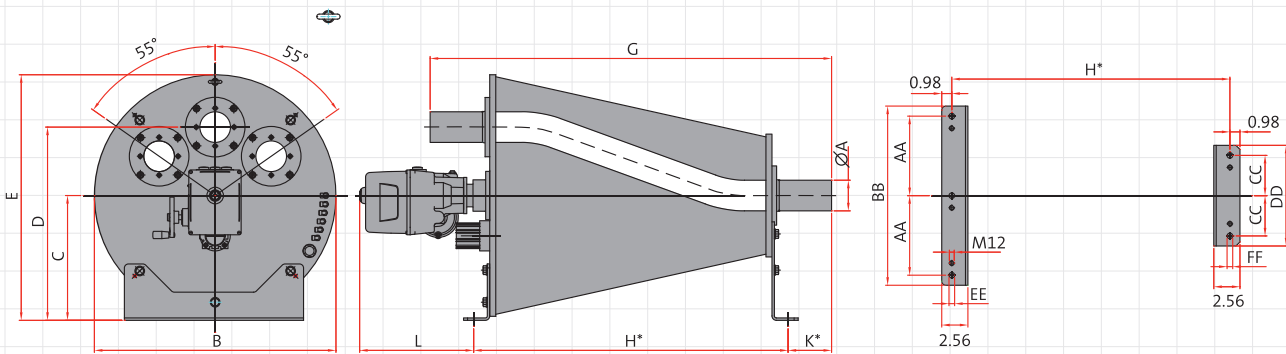
2/3-TDV

Dimensions 2-TDV and 3-TDV

2-TDV



3-TDV



Type 2-TDV	Execution 2									Execution 3								
	ØA	B	C	D	E	F	G	H	K	H	K	L	AA	BB	CC	DD	EE	FF
40	1.50x0.06	19.29	5.12	9.25	14.76	2.56	31.73	23.23	4.25	22.68	4.53	9.72	7.38	16.73	4.23	10.43	3xØ0.55	2xØ0.55
50	2.00x0.06	19.29	5.12	9.25	14.76	2.56	31.73	23.23	4.25	22.68	4.53	9.72	7.38	16.73	4.23	10.43	3xØ0.55	2xØ0.55
65	2.50x0.06	20.87	5.31	9.65	15.75	2.95	35.28	26.77	4.25	26.22	4.53	10.04	7.97	17.91	4.23	10.43	3xØ0.55	2xØ0.55
80	3.00x0.06	20.87	5.31	9.65	15.75	2.95	35.28	26.77	4.25	26.22	4.53	10.04	7.97	17.91	4.23	10.43	3xØ0.55	2xØ0.55
100	4.00x0.08	23.62	6.50	11.32	18.31	3.44	37.24	28.74	4.25	28.19	4.53	10.04	9.06	20.08	5.12	12.20	3xØ0.55	2xØ0.55
125	5.08x0.08	27.36	6.89	12.80	20.57	4.04	43.94	35.43	4.25	34.88	4.53	10.39	10.83	23.62	5.31	12.60	3xØ0.55	2xØ0.55
150	6.06x0.08	29.72	8.07	14.37	22.93	4.53	45.51	37.01	4.25	36.46	4.53	10.39	11.61	25.20	5.91	13.78	3xØ0.55	2xØ0.55

Type 3-TDV	Execution 2									Execution 3								
	ØA	B	C	D	E	G	H	K	H	K	L	AA	BB	CC	DD	EE	FF	
40	1.50x0.06	22.05	11.42	17.32	22.44	34.88	26.38	4.25	25.83	4.53	11.22	7.19	16.34	3.94	9.84	3xØ0.55	2xØ0.55	
50	2.00x0.06	22.05	11.42	17.32	22.44	34.88	26.38	4.25	25.83	4.53	11.22	7.19	16.34	3.94	9.84	3xØ0.55	2xØ0.55	
65	2.50x0.06	23.62	12.20	18.90	24.02	39.25	30.75	4.25	30.20	4.53	11.22	7.78	17.52	3.94	9.84	3xØ0.55	2xØ0.55	
80	3.00x0.06	23.62	12.20	18.90	24.02	39.25	30.75	4.25	30.20	4.53	11.22	7.78	17.52	3.94	9.84	3xØ0.55	2xØ0.55	
100	4.00x0.08	26.38	13.58	21.06	26.77	41.50	32.99	4.25	32.44	4.53	11.22	8.27	18.50	4.53	11.02	3xØ0.55	2xØ0.55	
125	5.08x0.08	30.31	15.55	24.41	30.71	47.60	39.09	4.25	38.54	4.53	11.22	9.84	21.65	4.92	11.81	3xØ0.55	2xØ0.55	
150	6.06x0.08	33.46	17.13	26.97	33.86	49.96	41.46	4.25	40.91	4.53	11.22	10.93	23.82	5.22	12.40	3xØ0.55	2xØ0.55	