

AL-AXL DAIRY



- USDA Dairy Accepted
- Versions conforming to EC 1935/2004 available
- Easy removal of rotor for fast and efficient cleaning
- Smooth product contact surfaces in food grade material
- Rotor pockets radiused and polished to Ra=0,8 µm (150 grit)
- Rotor vanes chamfered on all edges
- Flame proof and explosion shock resistant versions available
- Flameproof versions suitable for St2 products available
- Versions conforming to ATEX 94/9/EC available
- CIP-suitable versions conforming to EHEDG Type EL Class I available

AL-AXL Dairy rotary airlocks

The AL-AXL Dairy rotary airlocks have been designed for use in the food, pet food, chemical and pharmaceutical industries where very high standards apply. The Dairy valves have an official USDA certificate of acceptance for use in dairy plants and are optionally available conforming to the EC 1935/2004 directive.

The construction of the valve is designed to avoid bacteriological contamination. All product contact surfaces are in food grade material and smoothly polished.

The AL-AXL Dairy valves are optionally available in MZC execution with supporting bars for easy removal of the end cover and rotor without damaging the housing. The MZC valves are easy detachable in a few minutes.

The AL Dairy valves are available in 6 sizes, covering a capacity range from approximately 0.09-2.05 CFR at 100% filling. The AXL valves are available in 4 sizes from 200-350, capacity range of the rotor from 0.19-1.20 CFR at 100% filling. The AXL size corresponds with the dimension of the inlet flange.

Size Type AL	150	175	200	250	300	350
Size Type AXL		200	250	300	350	
Ft ³ /rev*	0.09	0.19	0.37	0.67	1.20	2.05

* at 100% filling

Product information

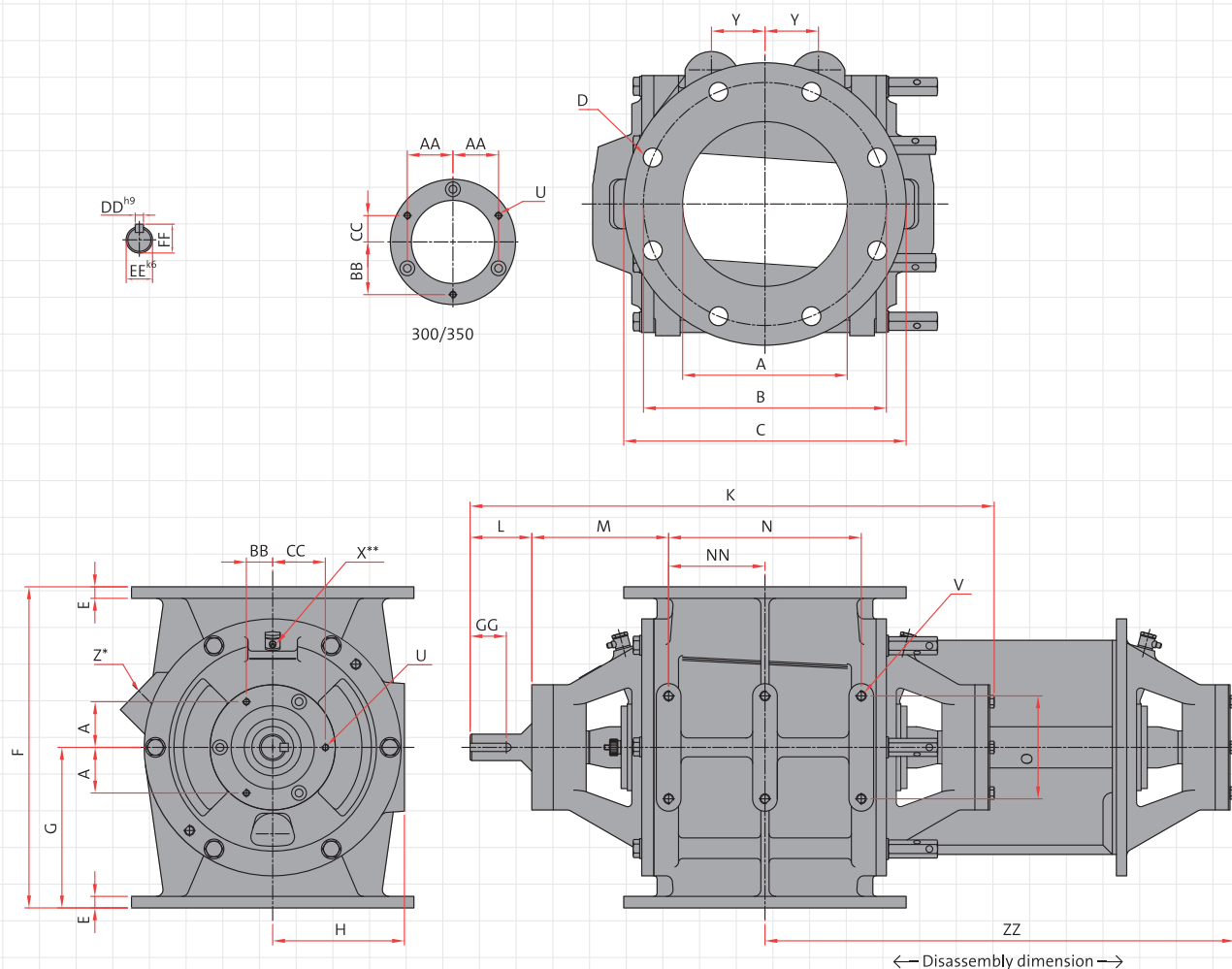
The body and end covers are made from AISI 316 stainless steel (DIN 1.4408). The rotor is made from AISI 316L stainless steel (DIN 1.4404). For special applications internal and external mirror polishing of the valve is possible.

The shaft sealing is by means of gland packing or air purge.

The standard models are suitable for temperatures up to 176 °F and a pressure up to 29 PSI. Flame proof and explosion shock resistant versions up to 145 PSI are also available.

AL-AXL DAIRY

Dimensions AL Dairy and AXL Dairy



← Disassembly dimension →

Type		AL Dairy									AXL Dairy											
AL	AXL	Ft ³ /rev	DIN			ANSI			E	H	DIN			ANSI			E	H	F	G		
			ØA	ØB	D	ØC	ØB	D			ØA	ØB	D	ØC	ØB	D						
150		0.09	5.91	9.45	8xØ0.91	11.22	9.50	8xØ0.81	0.47	4.33											11.02	5.51
175	200	0.19	6.89	10.63	8xØ0.91	12.40	—	—	0.55	5.12	7.87	11.61	8xØ0.91	13.50	11.75	8xØ0.87	0.55	6.50	12.99	6.50		
200	250	0.37	7.87	11.61	8xØ0.91	13.50	11.75	8xØ0.87	0.55	6.30	9.84	13.78	12xØ0.91	15.98	14.25	12xØ1.00	0.63	7.78	15.35	7.68		
250	300	0.67	9.84	13.78	12xØ0.91	15.98	14.25	12xØ1.00	0.63	7.48	11.81	15.75	12xØ0.91	19.02	17.00	12xØ1.00	0.83	8.76	17.72	8.86		
300	350	1.20	11.81	15.75	12xØ0.91	19.02	17.00	12xØ1.00	0.83	8.86	13.78	18.11	16xØ0.91	20.87	18.75	12xØ1.13	0.83	8.86	21.26	10.63		
350		2.05	13.78	18.11	16xØ0.91	20.87	18.75	12xØ1.13	1.02	10.63											25.98	12.99

Type		K	L	M	N	NN	O	U	V	X**	Y	Z*	AA	BB	CC	DD	EE	FF	GG	ZZ
150		20.51	2.83	5.94	5.75	—	3.94	3xM6	4xM10	¼" BSP (Ø10)	1.57	UNEF 1½"	1.46	1.46	2.07	0.31	1.18	1.30	1.38	20.94
175	200	22.09	2.83	5.87	7.48	—	3.94	3xM6	4xM10	¼" BSP (Ø10)	2.09	UNEF 1½"	1.46	1.46	2.07	0.31	1.18	1.30	1.38	23.31
200	250	25.43	3.31	6.54	9.21	—	4.92	3xM8	4xM12	¼" BSP (Ø10)	2.56	UNEF 1½"	2.18	1.26	2.52	0.39	1.26	1.38	1.69	27.24
250	300	27.40	3.31	6.54	11.18	5.59	4.92	3xM8	6xM12	¼" BSP (Ø10)	2.95	UNEF 1½"	2.18	1.26	2.52	0.39	1.26	1.38	1.69	30.20
300	350	31.65	3.15	7.28	14.17	7.09	4.92	3xM10	6xM12	¼" BSP (Ø10)	3.74	UNEF 1½"	2.90	3.35	1.67	0.39	1.50	1.61	1.73	36.02
350		34.41	3.15	7.48	16.54	8.27	4.92	3xM10	6xM12	¼" BSP (Ø10)	4.41	UNEF 1½"	2.90	3.35	1.67	0.39	1.50	1.61	1.73	39.37

* Standard pre-drilled for cast iron | Standaard voorgeboord bij gietijzer | Standard gebohrt in Gußeisen | Standard percé pour fonte | Estándar pre-taladrado para fundición de Fe | Standard preforato per ghisa | Standardowo otwory w żelowie | Предварительно изготовленные отверстия стандартны для чугуна

** Air purge connection | Aansluiting luchtdichting | Luftspülanschluss | Connexion insufflation d'air | Entrada aire de fluidificación | Ingresso aria di flussaggio | Złącze powietrza płuczącego | Подключение продувки воздухом

Technical modifications are possible, dimensions in inches | Technische wijzigingen voorbehouden, maten in inches | Technische Änderungen vorbehalten, Maße in Inches | Changements d'exécutions techniques réservés, dimensions en pouces | Son posibles variaciones técnicas, dimensiones en pulgadas | Sono possibili variazioni tecniche, dimensioni in pollici | Možliwe są modyfikacje techniczne, wymiary w calach | Сохраняется право на внесение технических изменений, размеры в дюймах

DMN
INCORPORATED

www.dmn-inc.com