

- High filling efficiency
- Large inlet size in relation to rotor volume
- Minimum air leakage
- Explosion proof models available up to 145 PSI
- Customized solutions
- Body with one round and one square flange
- Round flange drilled in accordance with PN10, ANSI 150lbs or JIS
- Usable as transition piece from round to square and vice versa
- Versions conforming to ATEX 94/9/EC available

AML rotary airlocks

The AML rotary airlocks have been designed for many applications in the metering and pneumatic conveying of products in powder and granular form. The AML valves can also be used as a transition piece from round to square and vice versa.

The AML valve range also includes USDA Dairy Accepted models and versions conforming to the EC 1935/2004 directive for sanitary use in the food and pharmaceutical industry. These stainless steel valves are easy detachable in a few minutes and meet the highest hygienic standard.

The AML valves are available in 7 consecutive sizes from 100-400, covering a capacity range of the rotor from 0.03-2.05 CFR at 100% filling.

Drive options include chain, direct, air and hydraulic drive.

Size	100	150	200	250	300	350	400
Ft ³ /rev*	0.03	0.09	0.19	0.37	0.67	1.20	2.05

* at 100% filling

Product information

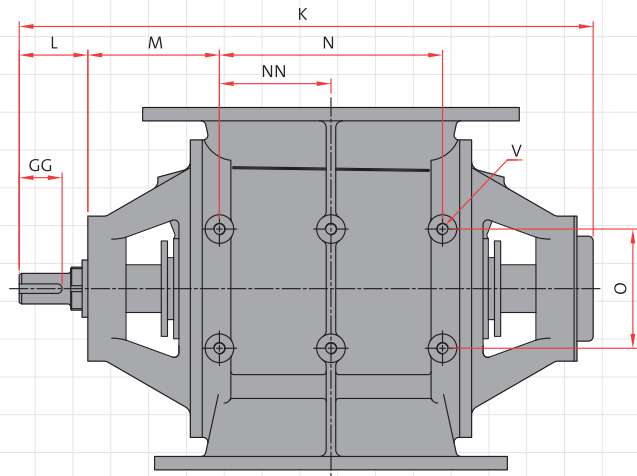
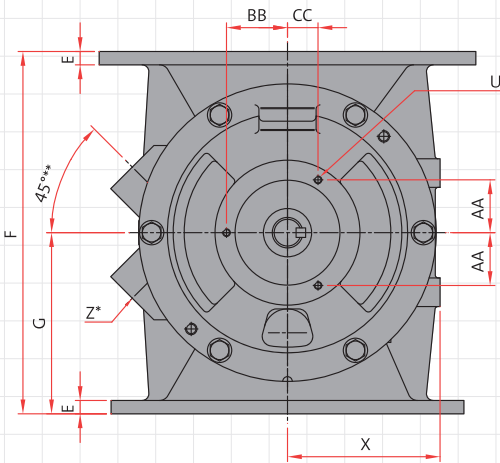
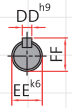
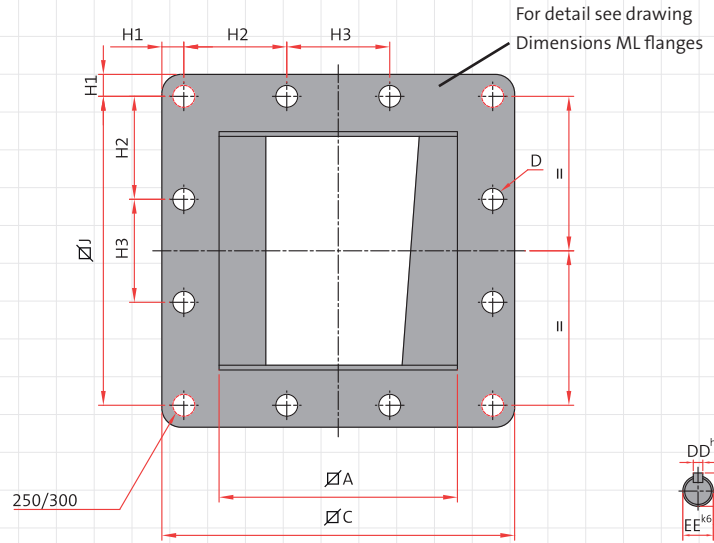
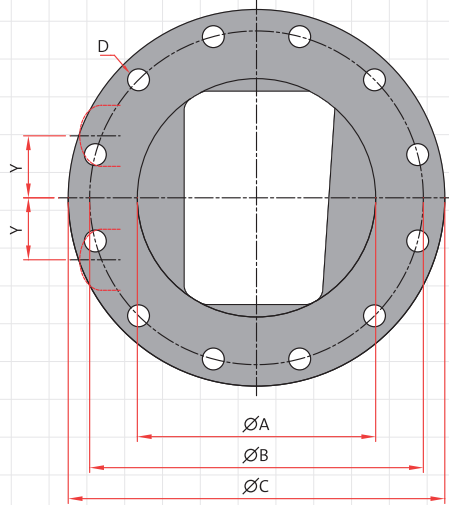
The valves are available in two materials of construction: stainless steel and cast iron. The cast iron valves are also available nickel or chrome plated or Tungsten coated.

The standard rotor has 9 blades. Various rotor configurations are optionally available, such as adjustable blades, reduced capacity, scalloped, end disc, etc.

The valves have outboard bearings and the shaft sealing is by means of gland packing, with the option or air purge.

The standard models are suitable for products up to a temperature of 302 °F and a maximum pressure differential of 29 PSI. Special configurations are available to accommodate temperatures between -328 °F and 1652 °F. Configurations pressure shock resistant up to 145 PSI and explosion proof models are also available.

All models offer optimum venting through the large vent holes, which can be drilled to order.



** 0° for size 100

Type AML	Ft ³ /rev	ØA	ØA	ØB	ØC	ØC	D	E	F	G	H1	H2	H3	ØJ	K	L	M	N	NN
100	0.03	3.94	3.94	6.69	8.27	6.89	4xØ0.71	0.43	6.69	3.35	0.79	5.31	—	5.31	12.91	2.05	3.31	3.54	—
150	0.09	5.91	5.91	9.45	11.22	10.51	8xØ0.91	0.43	10.83	5.43	3.46	3.62	—	8.74	19.06	2.36	5.00	5.75	2.87
200	0.19	7.87	7.87	11.61	13.39	12.60	8xØ0.91	0.55	12.80	6.42	4.09	4.45	—	10.75	20.63	2.36	4.92	7.48	3.74
250	0.37	9.84	9.84	13.78	15.55	14.57	12xØ0.91	0.55	14.96	7.48	0.91	4.25	4.25	12.76	23.98	2.83	5.43	9.21	4.61
300	0.67	11.81	11.81	15.75	19.02	17.52	12xØ0.91	0.83	17.72	8.86	1.22	5.04	5.04	15.12	25.94	2.83	5.43	11.18	5.59
350	1.20	13.78	13.78	18.11	20.87	20.87	16xØ0.91	0.83	21.26	10.63	4.29	4.09	4.09	18.11	30.04	2.91	5.91	14.17	7.09
400	2.05	15.75	15.75	20.28	23.43	23.43	16xØ1.02	1.02	25.98	12.99	4.92	4.53	4.53	20.28	32.80	2.91	6.10	16.54	8.27

Type AML	O	U	V	X	Y	Z*	AA	BB	CC	DD	EE	FF	GG
100	2.95	3xM6	4xM10	3.54	—	—	—	1.38	1.38	0.31	0.98	1.10	1.69
150	3.94	3xM6	4xM10	4.33	1.57	¾" BSP	1.46	2.07	1.46	0.31	1.18	1.30	1.42
200	3.94	3xM6	6xM10	5.12	2.09	1" BSP	1.46	2.07	1.46	0.31	1.18	1.30	1.42
250	4.92	3xM8	6xM12	6.30	2.56	1¼" BSP	2.18	2.52	1.26	0.39	1.26	1.38	1.73
300	4.92	3xM8	6xM12	7.48	2.95	1¼" BSP	2.18	2.52	1.26	0.39	1.26	1.38	1.73
350	4.92	3xM10	6xM12	8.86	3.74	1½" BSP	2.90	3.35	1.67	0.39	1.50	1.61	1.77
400	4.92	3xM10	6xM12	10.63	4.41	1½" BSP	2.90	3.35	1.67	0.39	1.50	1.61	1.77

* Standard not pre-drilled | Standaard niet voorgeboord | Standard nicht gebohrt | Standard non percé | Estándar no taladrado | Standard non preforato | Standardowo nieprzewiercone | Стандартное исполнение без отверстий