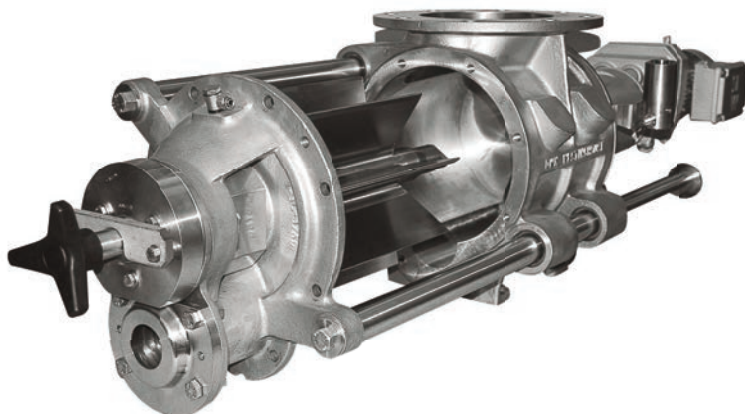


BL-BXL MZC



BL-BXL MZC rotary airlocks

The MZC rotary airlocks have proven themselves to be very successful in sanitary applications (Dairy execution) as well as many other applications. The unit has an easy detachable rotor which can be removed within a few minutes to facilitate inspection and cleaning. The configuration with direct drive has a very narrow construction, especially in the blow through (BL) version where the conveying line passes underneath the drive. The direct drive, in conjunction with a frequency inverter, results in a very flexible, safe and maintenance free unit (no chains or grease).

The extraction mechanism offers a high degree of operator safety and gives the line operators considerable flexibility in cleaning and maintaining the equipment between runs. Moreover the stability of the extraction mechanism ensures that the rotor can be easily moved in and out of the housing without damaging the housing or the rotor blades.

The product line also includes USDA Dairy Accepted models and versions conforming to the EC 1935/2004 directive for sanitary use in the food and pharmaceutical industry: the types Dairy MZC with supporting bars for easy removal of rotor and end cover. These stainless steel valves are easy detachable in a few minutes and meet the highest hygienic standards.

The BXL valves are specially designed for applications where inlet size is more important than capacity and are generally used for products with poor flowability. These valves have an enlarged inlet and are available in 316 stainless steel and aluminium. The BXL valves are also available in MZC version.

The BL MZC valves are available in 6 sizes, capacity range of the rotor from 0.09-2.05 CFR at 100% filling. The BXL MZC valves are available in 4 sizes, capacity range of the rotor from 0.19-1.20 CFR at 100% filling. The BXL size corresponds with the dimension of the inlet flange.

Size Type BL	150	175	200	250	300	350
Size Type BXL		200	250	300	350	
Ft ³ *	0.09	0.19	0.37	0.67	1.20	2.05

* at 100% filling

- Supporting bars for easy removal of rotor and end cover
- Direct drive or chain drive
- Narrow, flexible and maintenance free construction with direct drive
- Hygienic, USDA Dairy Accepted versions
- Versions conforming to EC 1935/2004 available
- Explosion shock resistant and flame proof versions
- Increased safety at work
- Special blow through versions for cyclone or spray drier applications
- Versions with enlarged inlet available
- Flameproof versions available suitable for St2 products
- Versions conforming to ATEX 94/9/EC available

Product information

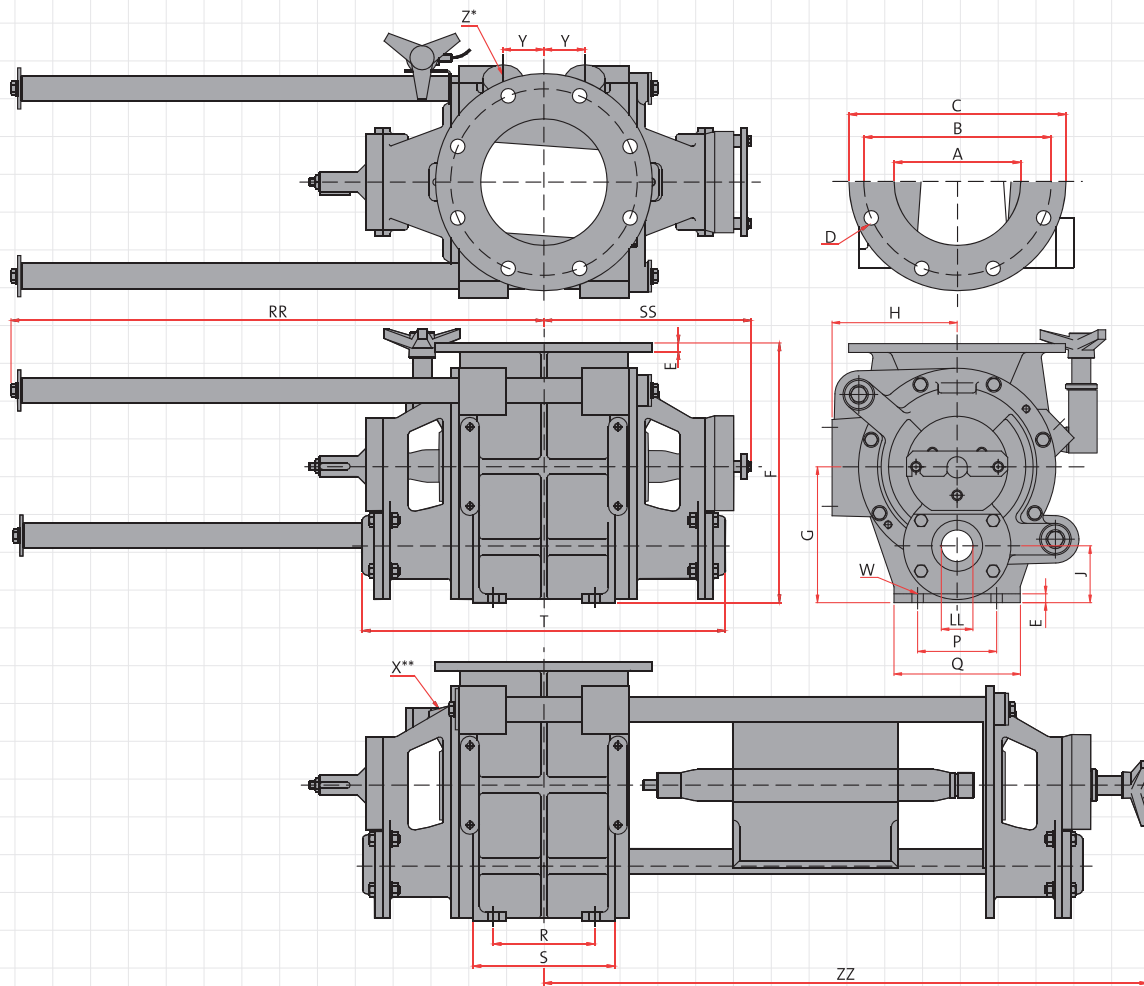
The MZC valves are supplied in 316 stainless steel, cast iron and aluminium. Variations such as nickel and chrome plating and Tungsten coating are equally available.

The standard rotor has 9 fixed blades. Various rotor configurations are optionally available, such as adjustable blades, reduced capacity, scalloped fixed vaned, end disc etc. The rotor clearance has a high accuracy and tight tolerances. The end covers have outboard bearing, lubricated and sealed for life. Eight different types of shaft sealing are available.

The standard models are suitable for temperatures up to 302 °F and a pressure up to 21.75 PSI. Some versions are explosion shock resistant and flame proof up to 145 PSI pressure for St2 products.

BL-BXL MZC

Dimensions BL-BXL MZC



Type	BL									BXL									F	G	H
	BL	BXL	Ft ³ /rev	ØA	ØB	D	ØC	ØB	D	E	ØA	ØB	D	ØC	ØB	D	E				
150		0.09	5.91	9.45	8xØ0.91	11.22	9.50	8xØ0.87	0.47									11.61	6.10	5.63	
175	200	0.19	6.89	10.63	8xØ0.91	12.40	—	—	0.55	7.87	11.61	8xØ0.91	13.50	11.75	8xØ0.87	0.55		13.39	6.89	6.50	
200	250	0.37	7.87	11.61	8xØ0.91	13.50	11.75	8xØ0.87	0.55	9.84	13.78	12xØ0.91	15.98	14.25	12xØ1.00	0.63		16.14	8.46	7.78	
250	300	0.67	9.84	13.78	12xØ0.91	15.98	14.25	12xØ1.00	0.63	11.81	15.75	12xØ0.91	19.02	17.00	12xØ1.00	0.83		18.50	9.65	8.76	
300	350	1.20	11.81	15.75	12xØ0.91	19.02	17.00	12xØ1.00	0.83	13.78	18.11	16xØ0.91	20.87	18.75	12xØ1.13	0.83		22.24	11.61	8.86	
350		2.05	13.78	18.11	16xØ0.91	20.87	18.75	12xØ1.13	1.02									26.18	13.19	10.63	

Type	Dairy																		
	BL	BXL	J	P	Q	R	S	W	X**	X** Dairy	Y	Z*	Z* Dairy	T	LL	T	LL max	RR	SS
150		2.56	4.33	5.51	3.94	6.06	4xØ0.47	¼"	¼" BSP (Ø10)	1.57	¾"	UNEF 1½"	18.19	1.38	16.54	1.97	25.63	10.79	35.24
175	200	2.95	5.12	6.30	5.12	7.48	4xØ0.55	¼"	¼" BSP (Ø10)	2.09	1"	UNEF 1½"	19.76	1.97	18.11	2.56	24.84	11.57	34.45
200	250	3.54	6.30	7.87	6.30	9.06	4xØ0.55	¼"	¼" BSP (Ø10)	2.56	1½"	UNEF 1½"	22.52	1.97	21.02	3.15	33.58	12.95	43.58
250	300	3.94	6.69	8.27	7.87	10.79	4xØ0.71	¼"	¼" BSP (Ø10)	2.95	1½"	UNEF 1½"	24.49	2.76	22.99	3.94	32.60	13.94	42.60
300	350	4.72	7.48	9.45	10.24	13.78	4xØ0.91	¾"	¼" BSP (Ø10)	3.74	1½"	UNEF 1½"	28.50	3.94	26.93	4.92	35.04	15.94	45.39
350		5.20	8.66	10.63	12.20	16.14	4xØ0.91	¾"	¼" BSP (Ø10)	4.41	1½"	UNEF 1½"	31.26	4.92	29.69	5.91	41.54	17.32	51.77

* Standard pre-drilled for cast iron | Standaard voorgeboord bij gietijzer | Standard gebohrt in Gußeisen | Standard percé pour fonte | Standard pre-taladrado para fundición de Fe | Standard preforato per ghisa | Standardowo otwory w żelowie | Предварительно изготовленные отверстия стандартны для чугуна

** Air purge connection | Aansluiting luchtafdichting | Luftspülanschluss | Connexion insufflation d'air | Entrada aire de fluidificación | Ingresso aria di flussaggio | Złącze powietrza płuczącego | Подключение продувки воздухом

DMN
INCORPORATED

Technical modifications are possible, dimensions in inches | Technische wijzigingen voorbehouden, maten in inches | Technische Änderungen vorbehalten, Maße in Inches | Changements d'exécutions techniques réservés, dimensions en pouces | Son posibles variaciones técnicas, dimensiones en pulgadas | Sono possibili variazioni tecniche, dimensioni in pollici | Možliwe są modyfikacje techniczne, wymiary w calach | Сохраняется право на внесение технических изменений, размеры в дюймах

www.dmn-inc.com