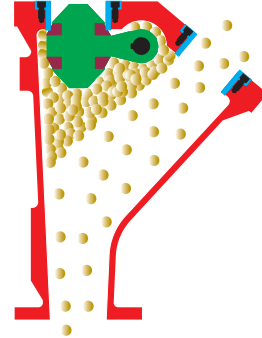


- For abrasive products
- Suitable for systems with high pressures and temperatures
- Body made from ductile spheroidal cast iron
- Replaceable wear bushings on outlet
- Grease lubricated shaft seals
- Seals can be replaced with the valve in place
- Versions conforming to ATEX 94/9/EC available



### **BTD Ball type diverter**

The BTD ball type diverter has been specifically designed to converge or diverge abrasive products in pneumatic conveying systems. The diverter is also suitable for systems having relatively high pressures and temperatures, e.g. thermoelectric power stations (coal and fuel oil ash), incinerators, foundries and cement, glass, ceramic, limestone, gypsum and chemical factories.

The diverter can be used for both diverting and converging. When diverting the product itself provides the wear surface (most common application). When converging the impact area of the product on the diverter has been considerably strengthened (see dimensional drawing).

The BTD is made from ductile spheroidal cast iron and is available in 7 sizes in the ranges 65 - 250 (2.56"-9.84").

### **Product information**

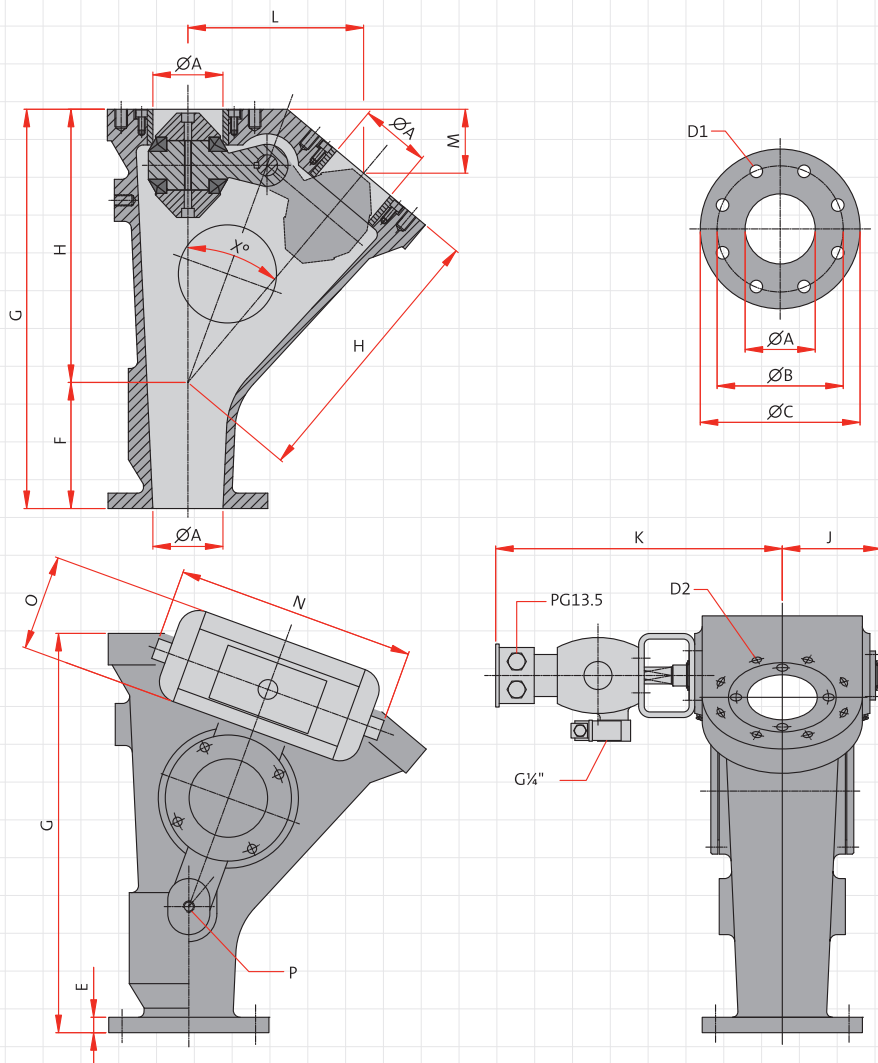
The design of the diverter ensures that the higher the positive pressure, the tighter the seal. This is the result of the ball and seal being pushed firmly into its seating. The seals can be replaced with the valve in place by removing the two side covers.

The valve is operated by using a double acting pneumatic actuator with a 5/2 double acting solenoid and position confirmation switch.

The BTD diverter can be used in systems with positive pressures up to 87 PSI and negative pressures up to -7.25 PSI. The standard configuration can be used for temperatures from 14 up to 176 °F. Higher temperatures upon request.

# BTD

## Dimensions BTD



Type BTD	PN 10				ANSI 150 LBS				E	F
	ØA	ØB	ØD1	ØC	ØB	ØD1	ØD2			
65	2.56	5.71	4xØ0.71	7.28	5.50	4xØ0.75	4x M16x25	0.71	3.74	
80	3.15	6.30	8xØ0.71	7.87	6.00	4xØ0.75	*x M16x25	0.79	5.51	
100	3.94	7.09	8xØ0.71	9.00	7.50	8xØ0.75	8x M16x25	0.87	7.09	
125	4.92	8.27	8xØ0.71	10.04	8.50	8xØ0.87	8x M16x35	0.94	8.86	
150	5.91	9.45	8xØ0.87	11.22	9.50	8xØ0.87	8x M20x35	0.94	9.45	
200	7.87	11.61	8xØ0.87	13.39	11.75	8xØ0.87	8x M20x35	0.98	6.30	
250	9.84	13.78	12xØ0.87	16.02	14.25	12xØ1.00	12x M20x35	1.18	6.69	

Flange connection: PN 10 or ANSI 150 lbs  
 \* 8 holes for PN 10. 4 holes for ANSI 150 lbs

Type BTD	G	H	J	K	L	M	N	O	P	X°	WEIGHT LBS
65	21.65	17.91	5.12	15.55	8.98	2.40	12.20	4.13	M16x20	30°	150
80	19.69	14.17	5.31	15.75	9.13	3.31	12.20	4.13	M16x20	40°	170
100	22.44	15.35	5.71	16.73	9.84	3.58	14.96	4.72	M16x25	40°	220
125	27.56	18.70	6.50	18.50	12.01	4.37	17.72	5.51	M20x25	40°	342
150	30.71	21.26	6.89	18.90	13.66	4.96	17.72	5.51	M20x20	40°	459
200	31.89	25.59	7.87	20.28	16.46	5.98	20.47	5.91	M20x25	40°	661
250	33.46	26.77	10.24	24.80	17.20	6.26	25.20	6.69	M20x30	40°	992