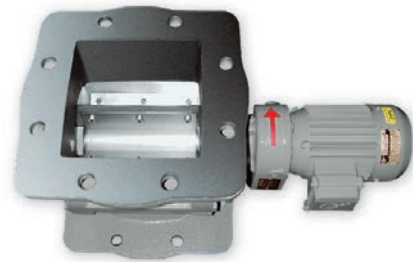




- Minimum air leakage
- Rotors are available with adjustable polyurethane or fixed chamfered mild steel blades
- Suitable for both round and square counter flanges
- Ex stock delivery for standard executions
- Versions conforming to ATEX 94/9/EC available, specifications up to Group II Category 1D/2GD
- Flameproof versions suitable to handle St2 products available



DL rotary airlock

The DMN DL dust lock is of a dedicated design for filter applications. It can be used with dust filters, cyclones, product separators and dosing systems. The universal flanges are on both sides of the airlock are drilled to PN10 and can be used for round-round, square-square and square-round connections.

The inlet of the airlock is square, therefore accommodating both round and square outlets from the vessel that has to be discharged. The angle of the inlet down to the rotor has been kept as steep as possible, to reduce the chance of bridging. The outlet from the airlock is round, so that one can discharge into either a round or square connection.

The DL range of airlocks are available with inlet sizes of 200, 250 and 300 mm and respective capacities of 0.21, 0.30 and 0.67 CFR at 100% filling.

Size	200	250	300
Ft ³ /rev*	0.21	0.30	0.67

* at 100% filling

Product information

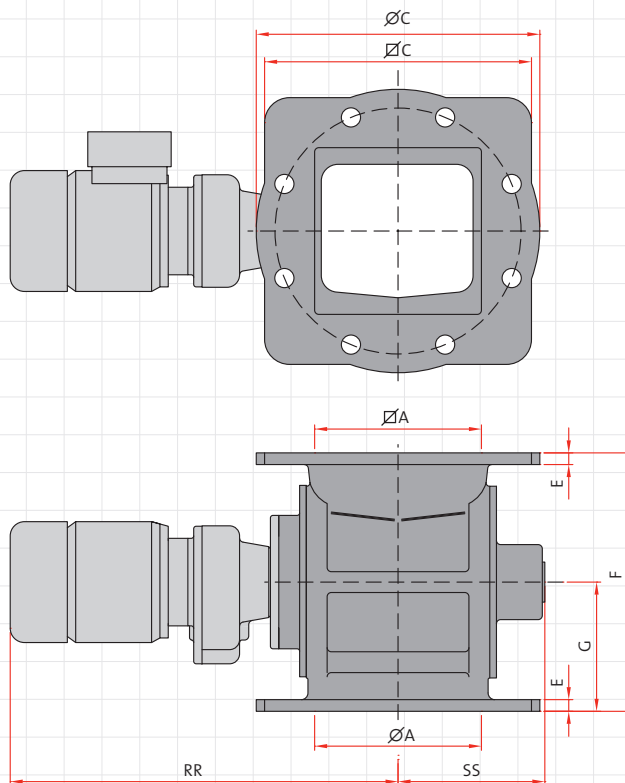
The DL airlock has a very large inlet and a direct drive, providing ample torque to drive the rotor, which has 6 (types 200 and 250) or 8 (types 250 and 300) replaceable and adjustable polyurethane blades, either 6 (size 250) or 8 (sizes 250 and 300) fixed chamfered mild steel blades.

The standard drive is a Nord inline drive, other drives are available on request.

The standard model is suitable for handling products up to a temperature of 158 °F and a maximum pressure differential up to 7.25 PSI, depending on the model. The airlocks are also pressure shock resistant.

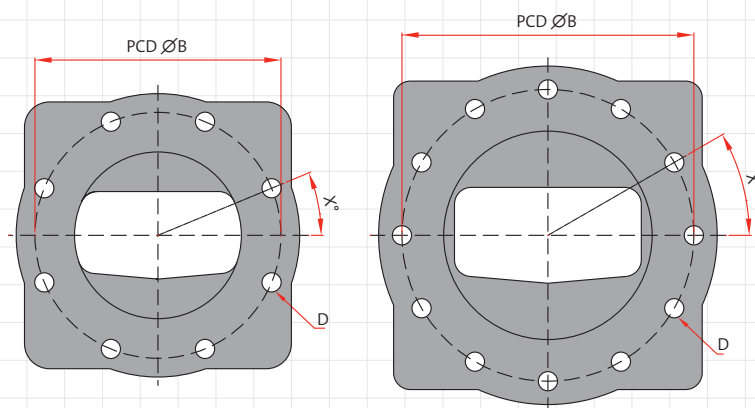
DL

Dimensions DL



DL 200

DL 250 - DL 300



Type DL	Ft ³ /rev	ØA	ØA	ØB	ØC	ØC	D	E	F	G	X	RR	SS
200	0.21	7.87	7.87	11.61	13.39	12.60	8xØ0.91	0.55	12.20	6.10	22.5°	18.31	6.93
250	0.30	9.84	9.84	13.78	15.98	14.57	12xØ0.91	0.59	12.80	6.40	30°	19.09	7.72
300	0.67	11.81	11.81	15.75	19.02	17.52	12xØ0.91	0.83	16.54	8.27	30°	21.89	9.06

Technical modifications are possible, dimensions in inches | Technische wijzigingen voorbehouden, maten in inches |
 Technische Änderungen vorbehalten, Maße in Inches | Changements d'exécutions techniques réservés, dimensions en pouces |
 Son posibles variaciones técnicas, dimensiones en pulgadas | Sono possibili variazioni tecniche, dimensioni in pollici |
 Możliwe są modyfikacje techniczne, wymiary w calach | Сохраняется право на внесение технических изменений, размеры в дюймах