

- Compact form
- Optimal sealing
- Simple construction
- Minimal pressure loss
- Available with flange or pipe fittings
- Flanges drilled in accordance with PN10, ANSI 150 lbs and JIS
- Cast iron, aluminium or 316 stainless steel
- Versions conforming to ATEX 94/9/EC available



FDV Flap Type Diverter

The FDV flap type diverters have been designed to divert powders and pellets in pneumatic conveying systems.

The FDV is available in two versions: the FDV-F type with flange fittings and the FDV-P type with pipe fittings. Both versions are available in aluminium, cast iron and stainless steel, in the ranges 50 - 250 (1.97" - 9.84") for the FDV-F and in the ranges 50 - 150 (1.97" - 5.91") for the FDV-P. Larger models are available on request.

For the FDV there are 4 operating modes: a pneumatic cylinder assembly, a pneumatic actuator assembly, an electrical actuator and hand operation.

Product information

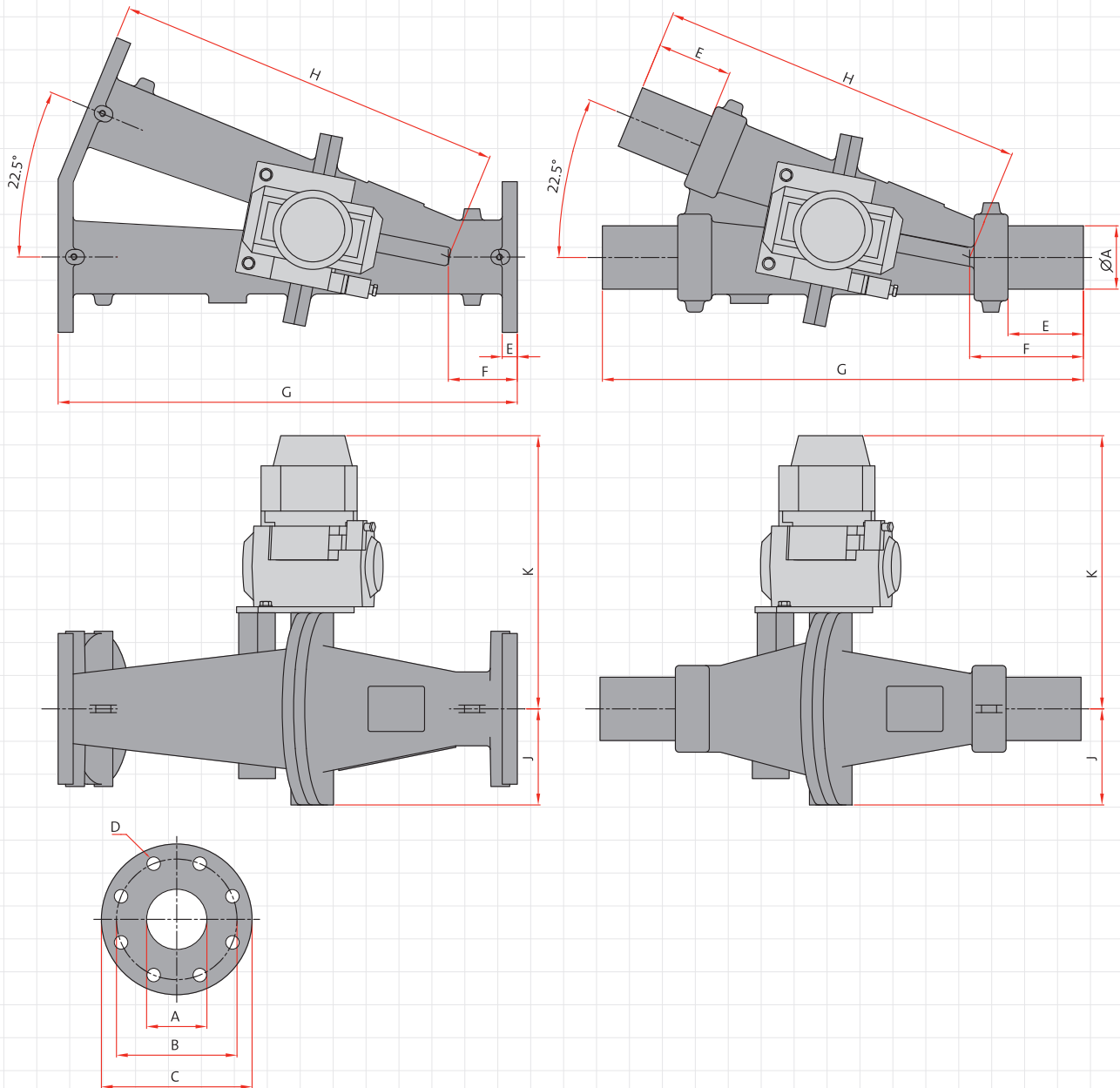
The parabolic style blade of the diverter can be fitted with a wear resistant or food quality polyurethane seal, providing a virtually leak proof unit.

The FDV diverter can be used in systems with positive pressures up to 29 PSI and negative pressures up to 4.35 PSI.

The standard polyurethane flap can be used for temperatures up to 176 °F. Options for higher temperatures are available on request.

FDV

Dimensions FDV



Type FDV	FDV-F										FDV-P						J	K
	DIN				ANSI						ØA (AISI)	ØA (St. 37)	E	F	G	H		
50	1.97	4.92	4xØ0.71	6.50	4.75	4xØ0.75	0.47	3.54	20.47	16.93	Ø2.13x0.08	Ø2.13x0.10	3.94	5.91	21.26	15.35	4.06	12.64
65	2.56	5.71	4xØ0.71	7.28	5.50	4xØ0.75	0.47	3.54	22.44	18.90	Ø2.76x0.08	Ø2.76x0.11	3.94	5.91	21.26	15.35	4.33	12.91
80	3.15	6.30	8xØ0.71	7.87	6.00	4xØ0.75	0.47	3.54	24.02	20.47	Ø3.31x0.08	Ø3.50x0.16	3.94	5.91	25.08	19.17	5.04	14.29
100	3.94	7.09	8xØ0.71	8.66	7.50	8xØ0.75	0.47	3.54	25.98	22.44	Ø4.09x0.08	Ø4.25x0.14	3.94	5.91	26.38	20.47	5.63	14.80
125	4.92	8.27	8xØ0.71	9.84	8.50	8xØ0.87	0.47	3.74	29.13	25.39	Ø5.08x0.08	Ø5.24x0.16	3.94	6.02	28.15	22.13	6.50	16.14
150	5.91	9.45	8xØ0.87	11.22	9.50	8xØ0.87	0.47	4.13	33.07	28.94	Ø6.06x0.08	Ø6.26x0.18	3.94	6.42	28.94	22.52	7.28	16.93
200	7.87	11.61	8xØ0.91	13.50	11.75	8xØ0.87	0.94	1.77	36.42	34.65							8.46	19.06
250	9.84	13.78	12xØ0.91	15.98	14.25	12xØ1.00	0.94	2.13	42.13	40.00							9.84	20.43

Technical modifications are possible, dimensions in inches | Technische wijzigingen voorbehouden, maten in inches |
 Technische Änderungen vorbehalten, Maße in Inches | Changements d'exécutions techniques réservés, dimensions en pouces |
 Son posibles variaciones técnicas, dimensiones en pulgadas | Sono possibili variazioni tecniche, dimensioni in pollici |
 Możliwe są modyfikacje techniczne, wymiary w calach | Сохраняется право на внесение технических изменений, размеры в дюймах

DMN
INCORPORATED

www.dmn-inc.com