

- Maximum protection against product degradation
- High filling efficiency
- Large air vent openings
- Robust construction
- Available with direct drive or chain driven
- Flanges drilled in accordance with PN10, ANSI 150lbs and JIS
- Versions conforming to ATEX 94/9/EC available

**GL granular rotary airlocks**

The GL rotary airlocks are specially designed for gravity feeding and pneumatically conveying of granular products. The configuration of the body and rotor has been developed specifically to minimise degradation whilst retaining the best possible pocket filling efficiency.

The GL valves come in 5 sizes, covering a capacity range from approximately 0.18-2.79 CFR at 100% filling.

Size	150	200	250	300	350
Ft <sup>3</sup> /rev*	0.18	0.35	0.62	1.13	2.79

\* at 100% filling

**Product information**

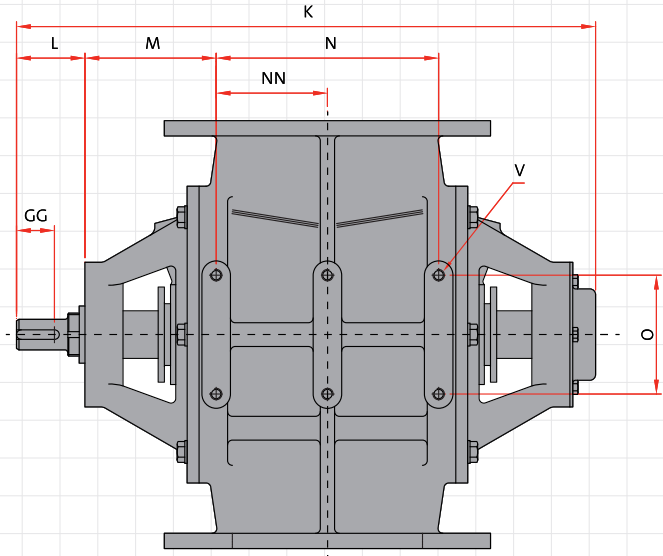
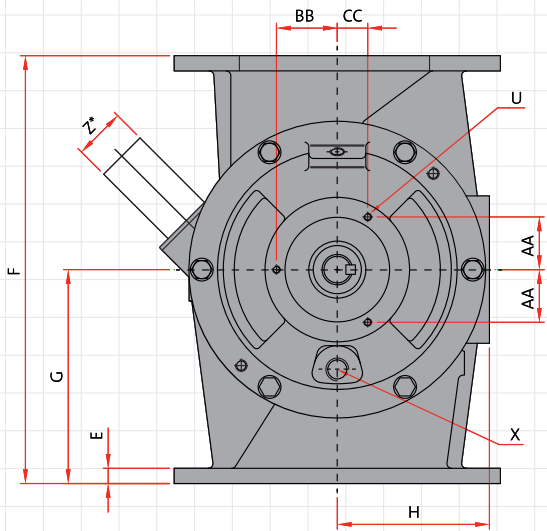
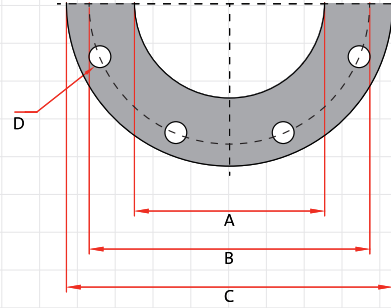
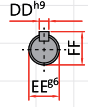
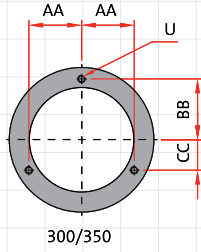
The GL rotary valves are available in 3 different body configurations: all stainless steel, stainless body with aluminium end covers and all aluminium. The aluminium configuration is anodised.

The full end disc rotor is made of 316 stainless steel. The end covers have outriggered ball bearings and the shaft sealed with gland packings. The construction of the inlet minimises chopping of the product.

The standard models are suitable for handling products up to a temperature of 302 °F and a maximum pressure difference of 21.75 PSI. Other options are available on request.

GL

## Dimensions GL



Type GL	Ft <sup>3</sup> /rev	DIN					ANSI		E	F	G	H	K	L	M	N	NN	O
		ØA	ØB	D	ØC	ØB	D											
150	0.18	5.91	9.45	8xØ0.91	11.22	9.50	8xØ0.87	0.47	14.17	7.09	5.12	20.63	2.36	4.92	7.48	—	3.94	
200	0.35	7.87	11.61	8xØ0.91	13.50	11.75	8xØ0.87	0.63	17.72	8.86	6.30	23.98	2.83	5.43	9.21	—	4.92	
250	0.62	9.84	13.78	12xØ0.91	15.98	14.25	12xØ1.00	0.71	19.69	9.84	7.48	25.94	2.83	5.43	11.18	5.59	4.92	
300	1.13	11.81	15.75	12xØ0.91	19.02	17.00	12xØ1.00	0.91	23.62	11.81	8.86	30.04	2.91	5.91	14.17	7.09	4.92	
350	2.79	13.78	18.11	16xØ0.91	20.87	18.75	12xØ1.13	1.10	29.53	14.76	11.61	34.76	2.91	6.10	18.50	9.25	4.92	

Type GL	U	V	X	Z	AA	BB	CC	DD	ØEE	FF	GG
150	3xM6	4xM10	3/8" BSP	Ø1.90x2	1.46	2.07	1.46	0.31	1.18	1.30	1.38
200	3xM8	4xM12	1/2" BSP	Ø2.37x2	2.18	2.52	1.26	0.39	1.26	1.38	1.69
250	3xM8	6xM12	1/2" BSP	Ø3.00x2	2.18	2.52	1.26	0.39	1.26	1.38	1.69
300	3xM10	6xM12	3/4" BSP	Ø3.50x2	2.90	3.35	1.67	0.39	1.50	1.61	1.73
350	3xM10	6xM12	3/4" BSP	Ø3.50x2	2.90	3.35	1.67	0.39	1.50	1.61	1.73

\* Option: Vent pipe

Technical modifications are possible, dimensions in inches | Technische wijzigingen voorbehouden, maten in inches |  
 Technische Änderungen vorbehalten, Maße in Inches | Changements d'exécutions techniques réservés, dimensions en pouces |  
 Son posibles variaciones técnicas, dimensiones en pulgadas | Sono possibili variazioni tecniche, dimensioni in pollici |  
 Możliwe są modyfikacje techniczne, wymiary w calach | Сохраняется право на внесение технических изменений, размеры в дюймах

**DMN**  
INCORPORATED

[www.dmn-inc.com](http://www.dmn-inc.com)