



- USDA Dairy Accepted versions available
- Rugged cast construction
- Available in stainless steel AISI 316, cast iron and aluminium
- Sealed and permanently lubricated outboard bearings
- Easily detachable design
- Change on the fly with most powders
- One-piece body with removable end plates and rotating blade assembly
- Pneumatic or manual operation
- Flanges drilled according to PN 10 or ANSI 150 lbs
- Versions conforming to ATEX 94/9/EC available



GPD gravity plug diverter

The GPD is a two-way, demountable gravity diverter valve and is ideal for system installations that require frequent cleaning with minimum downtime. Design allows fast disassembly in installed location and easy access to all product-contact surfaces. Material flow through the valve is unrestricted with no ledges or dead spots.

The diverters are manufactured in a range of finish options, including sanitary specification. The GPD range also includes USDA Dairy Accepted models.

The GPD diverts gravity fed material to either of two lines by a rotating blade that swings through 120° to fully close off the unused port. This is done with extremely close, machined tolerances between rotating blade and body.

The GPD is available in 4 sizes: 150, 200, 250 and 300 (5.91", 7.87", 9.84" and 11.81").

Product information

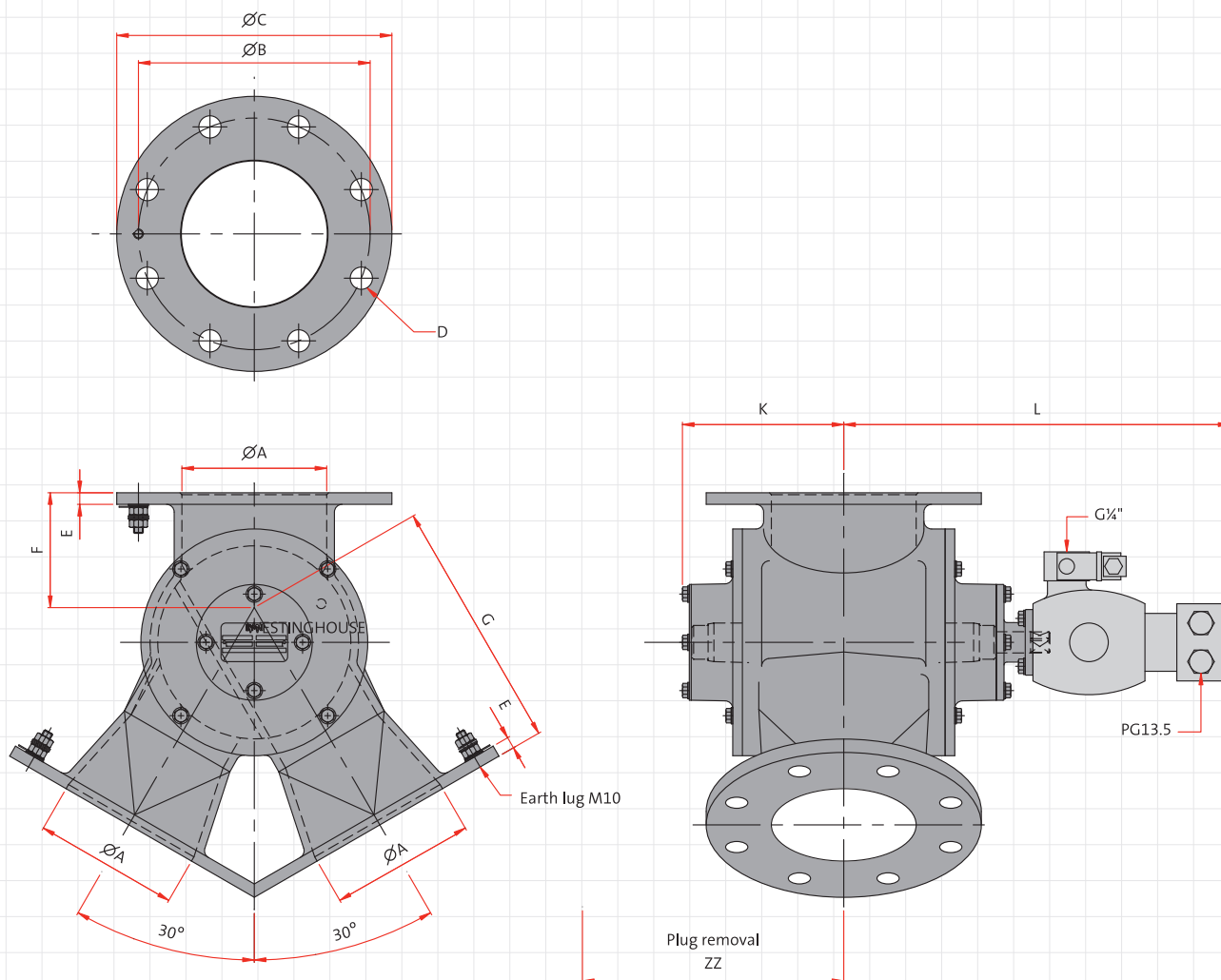
The GPD diverter is available with a cast iron, aluminium or stainless steel AISI 316 housing, in which either a mild steel or stainless steel AISI 316 plug is installed. The diverters are manufactured from a rugged cast design, which guarantees stability and a problem free operation.

Comparable fabricated gravity flap diverters normally have a polyurethane flap clamped between two metal plates to provide the seal. The disadvantage of this construction is that seal material can break off and cause leakage, as well as contaminating the product. There is also a risk that nuts and bolts could become undone and also contaminate the product as well as damaging equipment downstream. The GPD however has a rotor manufactured as a one piece fabrication, therefore eliminating these risks.

The GPD can be used for product temperatures ranging from 14 °F up to 176 °F. Options for higher temperatures are available on request.

GPD

Dimensions GPD



Type GPD	DIN			ANSI			E	F	G	K	L	ZZ
	ØA	ØB	D	ØB	D	ØC						
150	5.91	9.45	8xØ0.91	11.22	9.50	8xØ0.87	0.47	4.69	10.24	6.69	15.75	19.09
200	7.87	11.61	8xØ0.91	13.50	11.75	8xØ0.87	0.59	5.47	12.20	7.68	16.73	22.05
250	9.84	13.78	12xØ0.91	15.98	14.25	12xØ1.00	0.59	6.10	14.76	8.66	18.90	25.39
300	11.81	15.75	12xØ0.91	19.02	17.00	12xØ1.00	0.59	6.50	17.72	9.65	19.88	28.35