

- Special inlet for maximum protection against product degradation
- High filling efficiency
- Lowest air leakage through self-adjusting seals
- Robust construction
- Easy to assemble and disassemble
- Customised solutions
- Drilled flanges in accordance with PN10 and ANSI 150 lbs
- Explosion proof models available up to 145 PSI **
- Flameproof versions available suitable for St2 products **
- Versions conforming to ATEX 2014/34/EU available **

HP high pressure rotary airlocks

The HP rotary airlocks with a specially designed inlet have been designed by DMN for applications in the metering and pneumatic conveying of granular formed products under a high pressure of maximum 50.75 PSI. The configuration of the body and rotor has been specifically developed to minimise degradation of the product which runs through it, whilst retaining the best possible pocket filling efficiency.

The DMN HP airlock has a very important advantage in air leakage: the special configuration of the body and rotor does not only protect the granular product against degradation, it also does not allow any axial air leakage. This means that this airlock has an air leakage reduction of one third against other standard high pressure airlocks.

The HP airlocks are available in 3 consecutive sizes from 200 - 300, covering a capacity range of the rotor from 0.293 – 1.060 CFR at 100% filling.

Size Type HP	150	200	300
Ft ³ /rev*	0.293	0.547	1.060

* at 100% filling

Product information

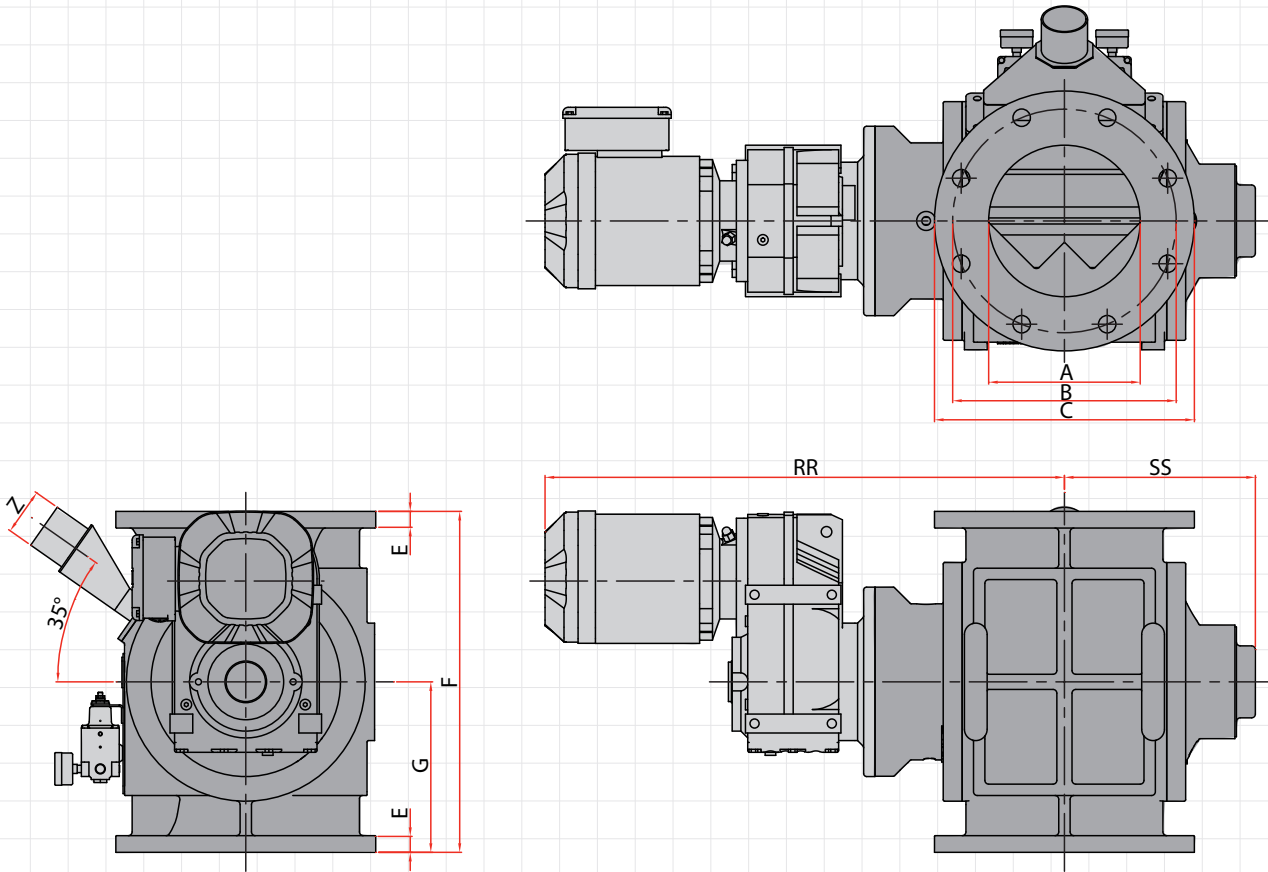
The HP airlocks are supplied with a 316 stainless steel body and aluminium end covers, in order to have maximum protection against wear.

The standard full end disc rotor is made of 316 stainless steel and has 12 fixed blades. Due to the state of the art manufacturing facility, a high accuracy and tight rotor clearances can easily be attained. The end covers have outboard bearings, lubricated and sealed for life. The special construction of the shaft sealing guarantees the lowest air leakage.

The standard models are suitable for handling products up to a temperature of +176 °F and a maximum pressure difference of 50.75 PSI.

All models offer optimum venting through the large vent hole, so a maximum product flow into the vented pockets is guaranteed. DMN fits SEW drives as their standard.

** pending



Type HP	Ft ³ /rev	DIN				ANSI				E	F	G	Z	RR	SS	Weight (lbs)*	Type SEW
		ØA	ØB	D	ØC	ØB	D										
200	8,3	200	295	8xØ23	343	298,4	8xØ22,2	22	450	225	Ø60,3x2	685,5	252	331	FAF57		
250	15,5	250	350	12xØ23	406	361,9	12xØ25,4	22	500	250	Ø76,1x2	710,5	277	441	FAF57		
300	30	300	400	12xØ23	483	431,8	12xØ25,4	24	600	300	Ø88,9x2	781,5	319	705	FAF57/67		

* without drive / zonder aandrijving / ohne Antrieb / sans motorisation / sin accionamiento / senza motorizzazione / bez napędu / без привода