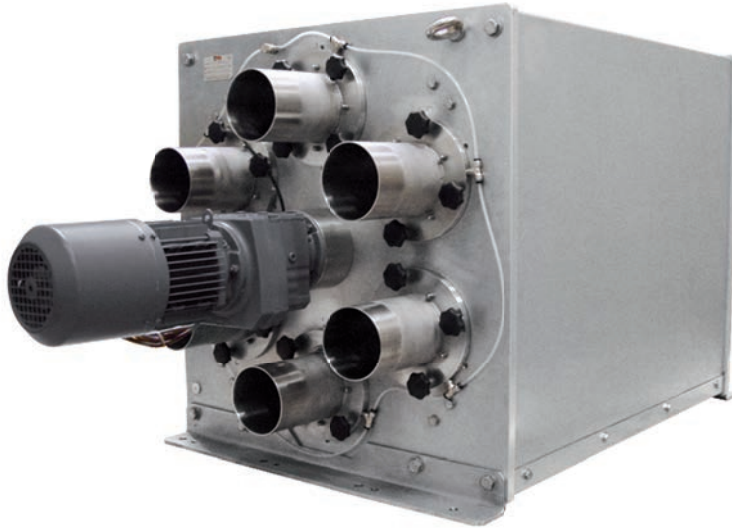
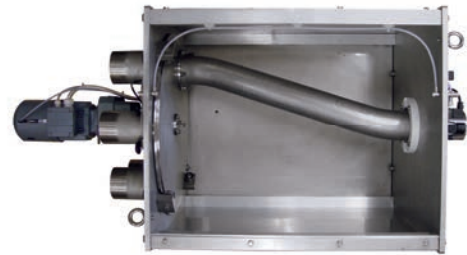


# M-TDV



- USDA Dairy Accepted versions available
- Up to 14 ports
- Inflatable seals
- All product contact materials FDA approved
- Smooth product contact surfaces
- Minimal product degradation
- Pressure from -11.6 up to 43.5 PSI
- Temperature range -4 °F to 212 °F
- Converging and diverging applications
- Multiple choice of line connections
- Compact design
- Versions conforming to ATEX 94/9/EC available



## M-TDV multi-port tube diverter valve

The M-TDV transports pneumatically conveyed products in powder or pellet form to or from multiple destinations (diverging or converging).

The M-TDV design is simplicity itself, and guarantees a high positional accuracy with a minimum of component parts. Available in sizes from 1½" to 6", with up to 14 ports on the larger models i.e. smaller pipe sizes. The normal supply would consist of the diverter unit, a pre-programmed compact controller with an onboard PLC. The controller works with a binary code input from the customer's PLC.

The M-TDV range includes USDA Dairy Accepted models.

## Product information

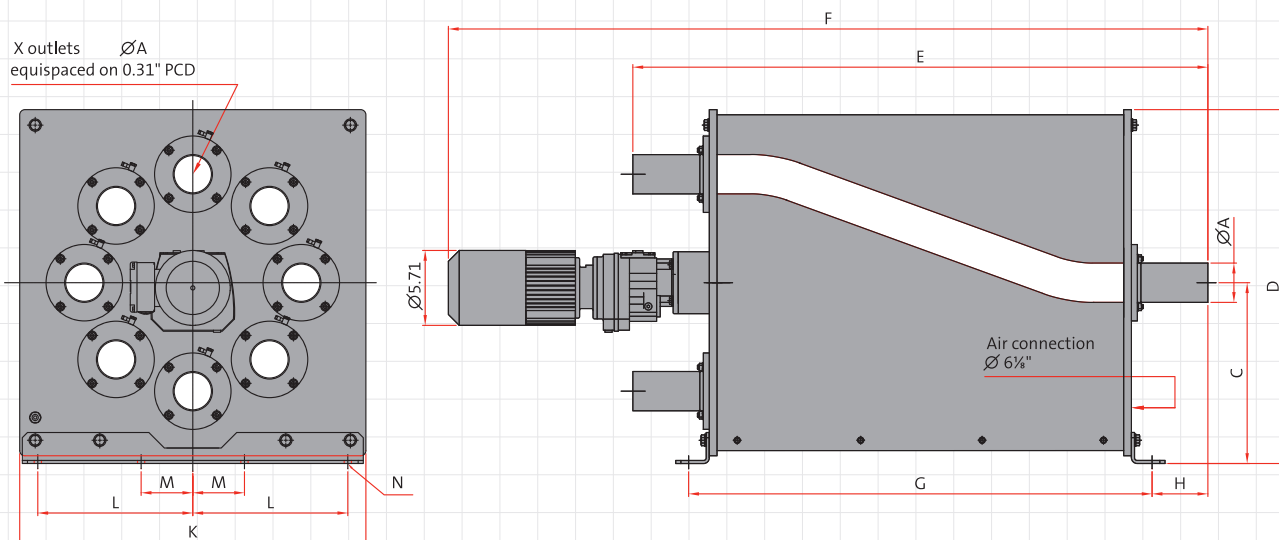
All product contact surfaces are manufactured in AISI 316 stainless steel. The inflatable seals are in FDA approved white EPDM. The standard aluminium cover is suitable for most applications. An alternative AISI 316 stainless steel cover is also available.

The unit can be mounted either horizontally or vertically and is driven by means of a geared motor, combined with an encoder which together with the controller guarantees a very accurate alignment of the conveying lines. A uniform smooth bore pipe between the inlet and outlet allows a constant velocity, minimises pressure loss, reduces product degradation and ensures clean purging. The seals are located outside the product flow, inflate on position confirmation and automatically deflate during switching. The indexing tube plate seals off unused ports.

The standard version can be used in systems with pressures up to 43.5 PSI.

# M-TDV

## Dimensions M-TDV



	Size	$\varnothing A$	X	B	C	D	E	F	G	H	K	L	M	N
Module II	40	1.50x0.06	4-10	16.54	13.78	26.97	43.82	57.87	35.31	4.25	26.38	11.81	3.94	4 HOLES $\varnothing 0.55$
	50	2.00x0.06	4-9											
	65	2.50x0.06	4-8											
	80	3.00x0.06	4-8											
	100	4.00x0.08	4-7											
Module III	40	1.50x0.06	11-14	23.62	18.70	36.81	54.45	68.50	45.94	4.25	36.22	15.75	5.91	4 HOLES $\varnothing 0.55$
	50	2.00x0.06	10-13											
	65	2.50x0.06	9-12											
	80	3.00x0.06	9-11											
	100	4.00x0.08	8-10											
	125	5.08x0.08	4-8											
	150	6.06x0.08	4-7											