



- For sanitary use
- Easy detachable rotor
- Low capacity
- Complete valve highly polished (inside and outside)
- Product surfaces FDA approved
- Maximum product temperature up to 212 °F
- System pressure up to 14.5 PSI
- Versions conforming to ATEX 94/9/EC available



### SAL small sanitary rotary airlocks

The SAL (Sanitary AirLock) is a low capacity rotary airlock with a highly polished surface on both the inside and outside.

The SAL is specially designed for metering purposes in applications where very high hygienic standards as well as ease of operation and cleaning are required. Therefore the SAL is very suitable for use in the pharmaceutical, food and chemical industries. The complete valve can be dismantled for inspection and cleaned in a matter of minutes, thus reducing eventual downtime and production loss.

The SAL is available in 5 sizes: DN50, DN65, DN80, DN100 and DN150, with capacities ranging from 0.0025 up to 0.09 CFR at 100% filling. Larger sizes are available on request. The size 150 is also available in MZC version with supporting slide bars for easy removal of end cover and rotor without damaging the housing.

Size	50	65	80	100	150
Ft <sup>3</sup> /rev*	0.0025	0.0046	0.009	0.03	0.09

\* at 100% filling

### Product information

The SAL valve is machined from solid stainless steel, not cast material. The valve sizes 50, 65, 80 and 100 are made from solid DIN 1.4404 (AISI 316L) stainless steel and have an easy detachable full end disc rotor with 6 rotor pockets and tri-clamp flange connections. The SAL 150 is the same as the smaller sizes except that the rotor is fabricated open end design (Daibi rotor) and the flange connections are DN150 (6") drilled according to PN6.

The standard version has an easy detachable rotor, inboard bearings and a direct drive with PTFE lip seals for the shaft sealing. The standard versions are suitable for handling products up to 212 °F and a system pressure of 14.5 PSI.

Optional are an air motor or DC motor, as well as an air purge rotor shaft sealing. Other variations on the standard valve configuration are available on request.

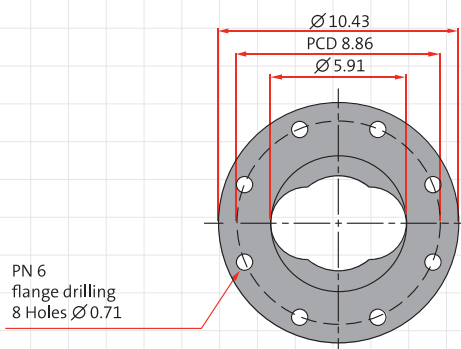
**SAL**

## Dimensions SAL

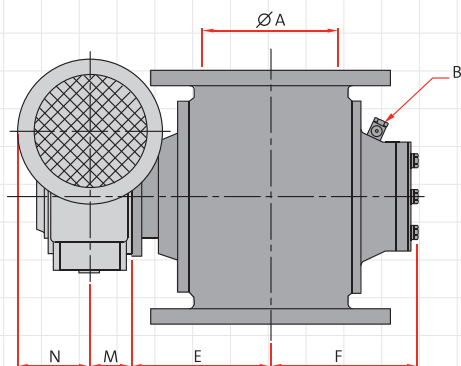
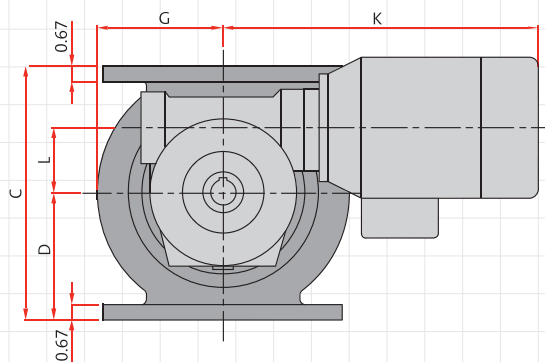
## Note:

Rotor size 50-65-80-100 (Solid): 6 rounded pocket form / end-disc

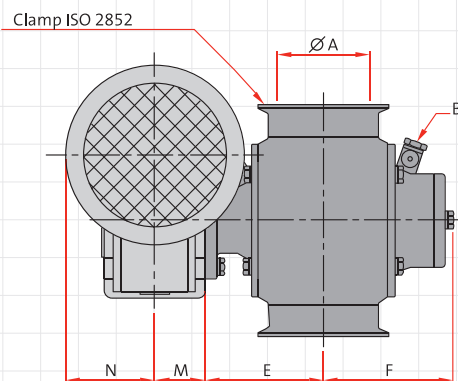
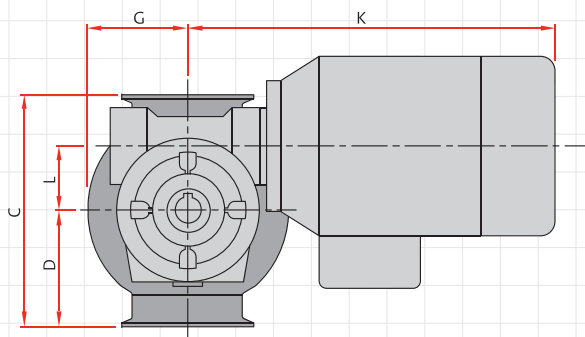
Rotor size 150 (Fabricated): 8 rounded pocked form



SAL 150



SAL 50/65/80/100



Type SAL	Ft <sup>3</sup> /rev	ØA	Size	B*	C	D	E	F	G
50	0.0025	1.91	2.00	Ø4-M5	4.33	2.17	2.42	3.03	1.95
65	0.0046	2.37	2.50	Ø4-M5	5.12	2.56	2.62	3.21	2.28
80	0.009	2.87	3.00	Ø6-½" BSP	6.30	3.15	3.23	3.74	2.76
100	0.03	3.84	4.00	Ø6-½" BSP	8.27	4.13	4.13	4.53	3.74
150	0.09	5.91		Ø8-¾" BSP	11.02	5.51	6.06	6.40	5.47

\* Option air purge | Optie luchtansluiting |  
 Option Luftabdichtung | Option insufflation d'air |  
 Opcjon purga de aire | Opzione tenuta d'aria |  
 Opcja uszczelnienie powietrza |  
 Как вариант продувка воздухом

Type SAL	Bonfiglioli drive	K	L	M	N	SEW drive	K	L	M	N	STM drive	K	L	M	N
50											RMI28P	8.92	1.10	1.42	2.28
65											RMI28P	8.92	1.10	1.42	2.28
80	MVF44P	10.04	1.76	1.38	2.44	WA20	9.84	0.91	1.87	2.60					
100	MVF49P	10.24	1.95	1.46	2.44	WA30	10.28	1.18	2.28	2.85					
150	MVF72P	13.74	2.83	1.81	3.07										

Technical modifications are possible, dimensions in inches | Technische wijzigingen voorbehouden, maten in inches |  
 Technische Änderungen vorbehalten, Maße in Inches | Changements d'exécutions techniques réservés, dimensions en pouces |  
 Son posibles variaciones técnicas, dimensiones en pulgadas | Sono possibili variazioni tecniche, dimensioni in pollici |  
 Możliwe są modyfikacje techniczne, wymiary w calach | Сохраняется право на внесение технических изменений, размеры в дюймах

**DMN**  
INCORPORATED

[www.dmn-inc.com](http://www.dmn-inc.com)