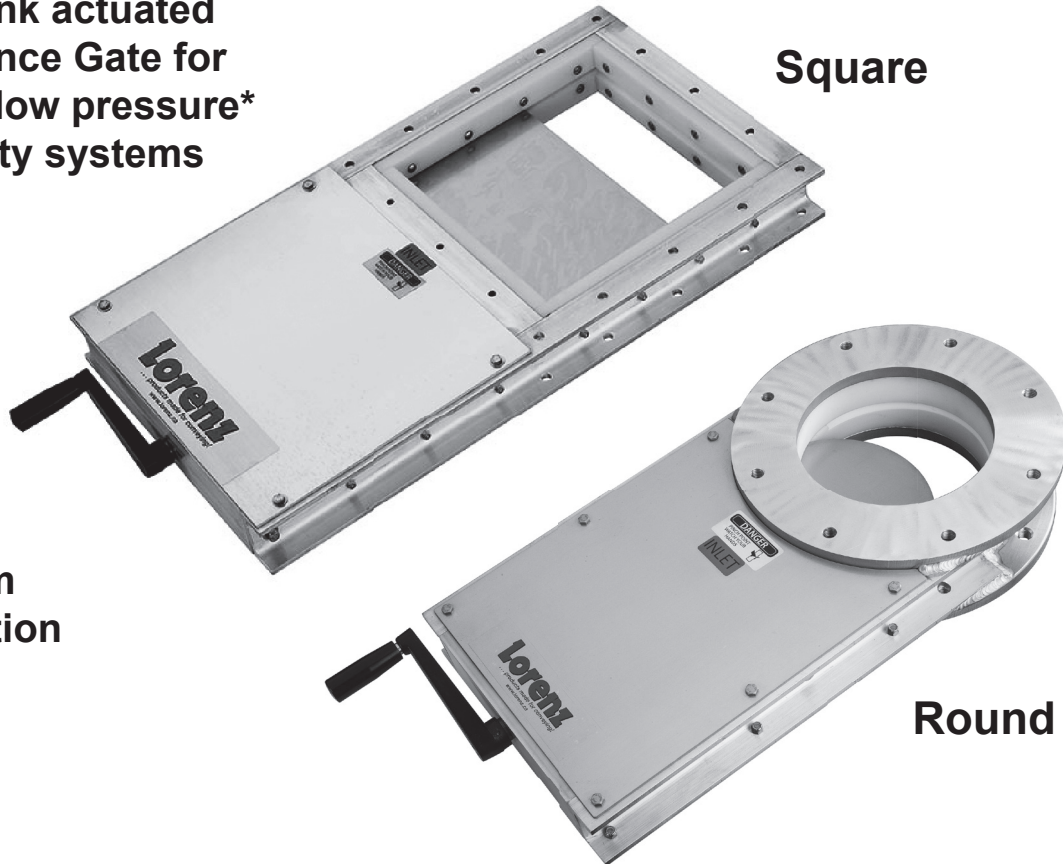


Maintenance Gate - Series "A"

Hand-crank actuated
Maintenance Gate for
vacuum, low pressure*
and gravity systems

Aluminum
construction
standard



*(Dilute phase up to 15 psig max.)

Standard Features

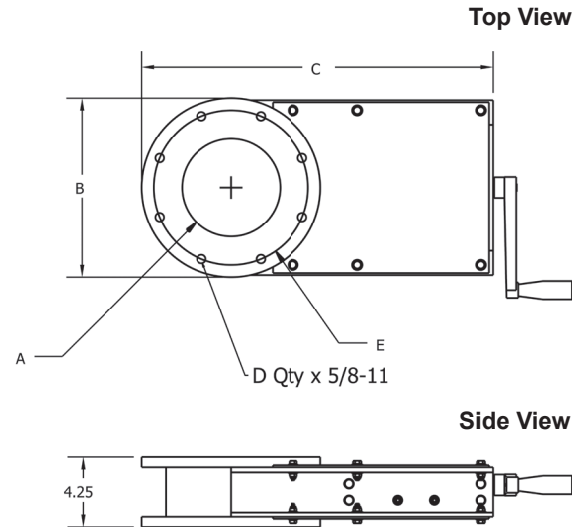
- Hand crank or hand wheel actuation
 - Polymer liner
- Square Gate - 304 stainless steel & polymer contact points & stainless steel blade
Round Gate - 304 stainless steel, polymer & aluminum contact points
- Narrow profile, lightweight aluminum frame
 - Constant pressure woven Teflon seals
 - Fully lined interior
 - Standard gate rated for 82° C (180° F)
 - Fully tested prior to shipping

Maintenance Gate - Series "A"

Maintenance Gate Valve - Round Orifice

MGR					
Size	A	B	C	D	E
600	6.00	11.00	21.62	8	9.50
800	8.00	13.50	26.75	8	11.75
1000	10.00	16.00	32.37	12	14.25
1200	12.00	19.00	37.62	12	17.00
1400	14.00	21.00	42.56	12	18.75
1600	16.00	23.50	47.81	16	21.25

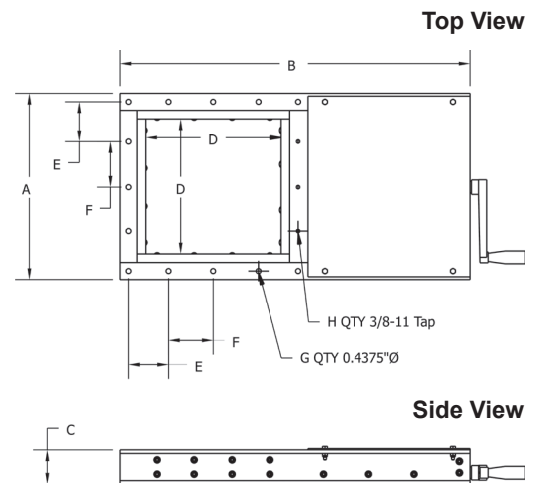
All dimensions approximate and subject to change



Maintenance Gate Valve - Square Orifice

MG								
Size	A	B	C	D	E	F	G Qty x 0.438"Ø	H Qty x 3/8-11 Tap
600	10.50	19.25	3.00	6.00	4.50	NA	7	1
800	12.50	23.00	3.00	8.00	5.50	NA	7	1
1000	14.50	27.00	3.00	10.00	3.25	3.25	13	3
1200	16.50	31.00	3.00	12.00	3.50	4.00	13	3
1400	18.50	35.00	3.00	14.00	4.25	4.25	13	3
1600	20.50	39.00	3.00	16.00	4.75	4.75	13	3
1800	24.00	44.50	4.00	18.00	5.25	5.25	13	3
2000	26.00	48.50	4.00	20.00	5.75	5.75	13	3

All dimensions approximate and subject to change



Options

- Air cylinders, hand wheel, electric or chain wheel actuation
- Stainless steel • Clear covers • Special service inlet
- High temperature service - Square model only