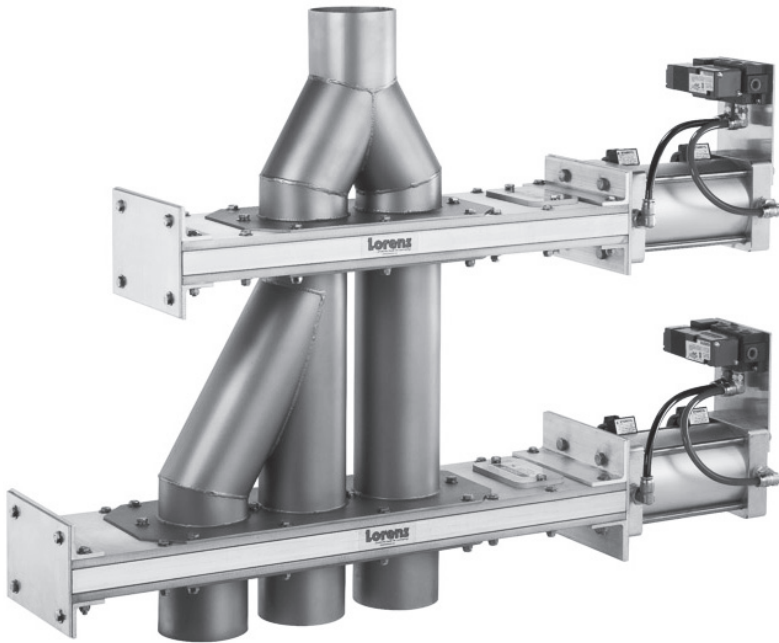


3 Way Diverter Valves - Series "D"



**Pneumatic actuated
3 Way Diverter Valve for
vacuum or low pressure*
conveying systems**

**Available in sizes from
2" up to 8"**

**Inlets & Outlets available in Tube & Pipe sizes
in Stainless Steel, Aluminum & Carbon Steel**

*(Dilute phase up to 15 psig max.)

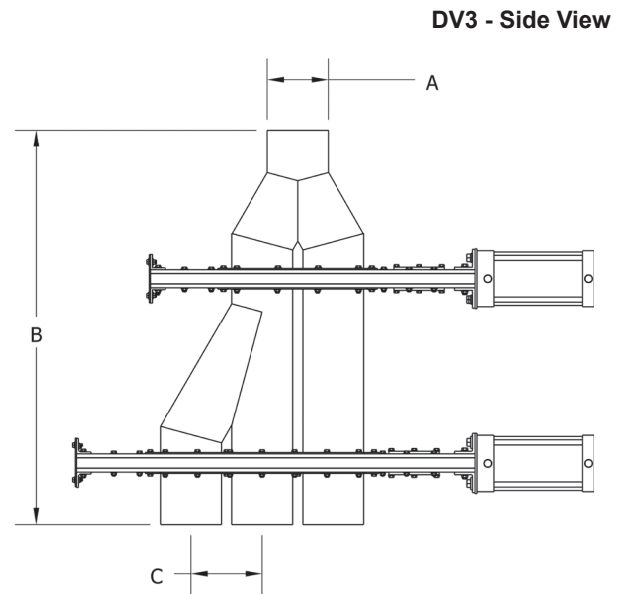
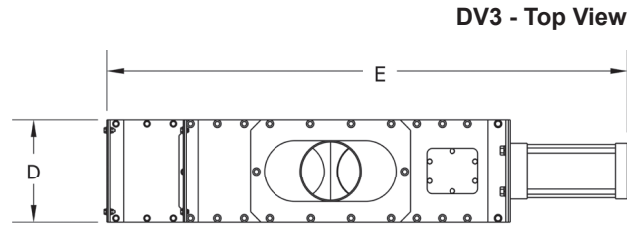
Standard Features

- Positive Blade Lock (PBL) between blade & cylinder rod
 - Internal magnetic piston, cushioned air cylinder
- Polished stainless steel blade • Active Compression Seals (ACS)
- Light weight aluminum body construction • Temperature rated for up to 82° C (180° F)
 - Ceramic Lined or Ceram Wrapped inlets/outlets
- Wall thickness of 16, 14, & 11 gauge, schedule 10, 40 & 80
 - Fully tested prior to shipping

3 Way Diverter Valves - Series "D"

DV3					
SIZE	A	B	C	D	E
150	1.50	19.17	2.50	5.00	23.63
200	2.00	19.43	2.50	5.00	23.63
225	2.25	21.91	3.50	6.00	29.75
2375	2.38	25.15	3.50	6.00	29.75
250	2.50	22.03	3.50	6.00	29.75
2875	2.88	25.15	3.50	6.00	29.75
300	3.00	23.50	3.50	6.00	29.75
350	3.50	31.89	5.00	7.00	38.25
400	4.00	27.61	5.00	7.00	38.06
450	4.50	34.81	6.00	9.00	47.31
500	5.00	33.40	6.00	9.00	47.31
5563	5.56	39.43	7.00	10.00	51.19
600	6.00	38.90	7.00	10.00	51.19
6625	6.63	39.87	10.00	11.00	68.06
800	8.00	46.62	10.00	12.00	68.62
8625	8.63	51.28	12.00	14.00	80.28

All dimensions approximate and subject to change



Options

- Position switches 5 volt to 240 volt AC/DC
- Proximity switches
- Oversized cylinders
- Valve body sealed for air purging
- Inlets/outlets - straight or flanged ends
- High temperature modifications
- Electric actuation
- Abrasion resistant options available
- Manual hand crank operation
- Special seal configurations
- Solenoids 110 volt AC or 24 volt DC
- NEMA 7-9 hazardous locations
- Double acting or single acting spring return solenoid or manual lever valve
- Prewired terminal boxes