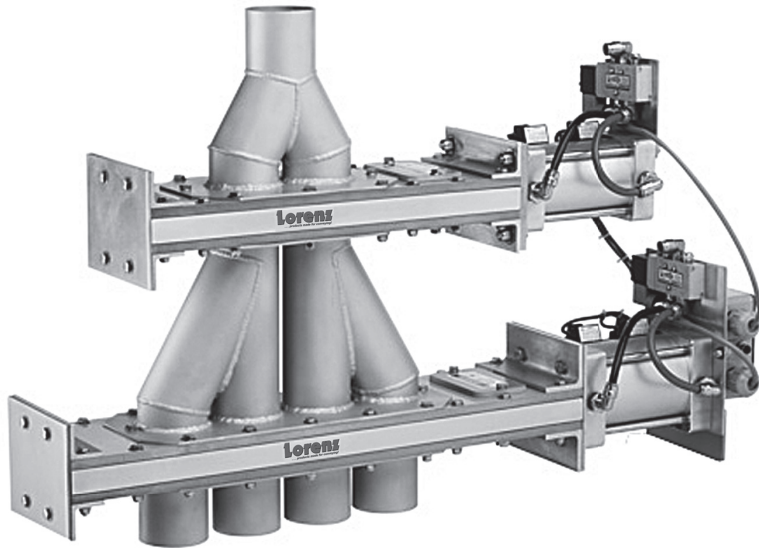


4 Way Diverter Valves - Series "D"



**Pneumatic actuated
4 Way Diverter Valve for
vacuum or low pressure*
conveying systems**

**Available in sizes from
2" up to 8"**

**Inlets & Outlets available in Tube & Pipe sizes
in Stainless Steel, Aluminum & Carbon Steel**

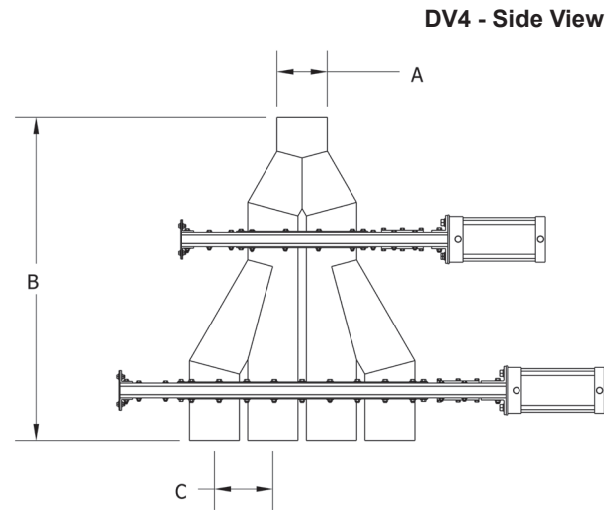
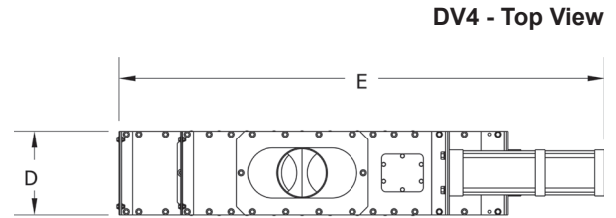
*(Dilute phase up to 15 psig max.)

Standard Features

- Positive Blade Lock (PBL) between blade & cylinder rod
 - Internal magnetic piston, cushioned air cylinder
- Polished stainless steel blade • Active Compression Seals (ACS)
- Light weight aluminum body construction • Temperature rated for up to 82° C (180° F)
 - Ceramic Lined or Ceram Wrapped inlets/outlets
- Wall thickness of 16, 14, & 11 gauge, schedule 10, 40 & 80
 - Fully tested prior to shipping

4 Way Diverter Valves - Series "D"

| DV4 | | | | | |
|--|------|-------|-------|-------|-------|
| SIZE | A | B | C | D | E |
| 200 | 2.00 | 19.43 | 2.50 | 5.00 | 26.13 |
| 225 | 2.25 | 21.94 | 3.50 | 6.00 | 33.25 |
| 2375 | 2.38 | 25.18 | 3.50 | 6.00 | 33.25 |
| 250 | 2.50 | 22.02 | 3.50 | 6.00 | 33.25 |
| 2875 | 2.88 | 25.06 | 3.50 | 6.00 | 33.25 |
| 300 | 3.00 | 23.40 | 3.50 | 6.00 | 33.25 |
| 350 | 3.50 | 31.89 | 5.00 | 7.00 | 43.38 |
| 400 | 4.00 | 27.61 | 5.00 | 7.00 | 43.38 |
| 450 | 4.50 | 34.81 | 6.00 | 9.00 | 51.19 |
| 500 | 5.00 | 33.40 | 6.00 | 9.00 | 51.19 |
| 5563 | 5.56 | 39.43 | 7.00 | 10.00 | 58.06 |
| 600 | 6.00 | 38.92 | 7.00 | 10.00 | 58.19 |
| 6625 | 6.63 | 39.81 | 10.00 | 11.00 | 77.19 |
| 800 | 8.00 | 46.62 | 10.00 | 12.00 | 78.50 |
| 8625 | 8.63 | 51.28 | 12.00 | 14.00 | 92.00 |
| All dimensions approximate and subject to change | | | | | |



Options

- Position switches 5 volt to 240 volt AC/DC
- Proximity switches
- Oversized cylinders
- Valve body sealed for air purging
- Inlets/outlets - straight or flanged ends
- High temperature modifications
- Electric actuation
- Abrasion resistant options available
- Manual hand crank operation
- Special seal configurations
- Solenoids 110 volt AC or 24 volt DC
- NEMA 7-9 hazardous locations
- Double acting or single acting spring return solenoid or manual lever valve
- Prewired terminal boxes