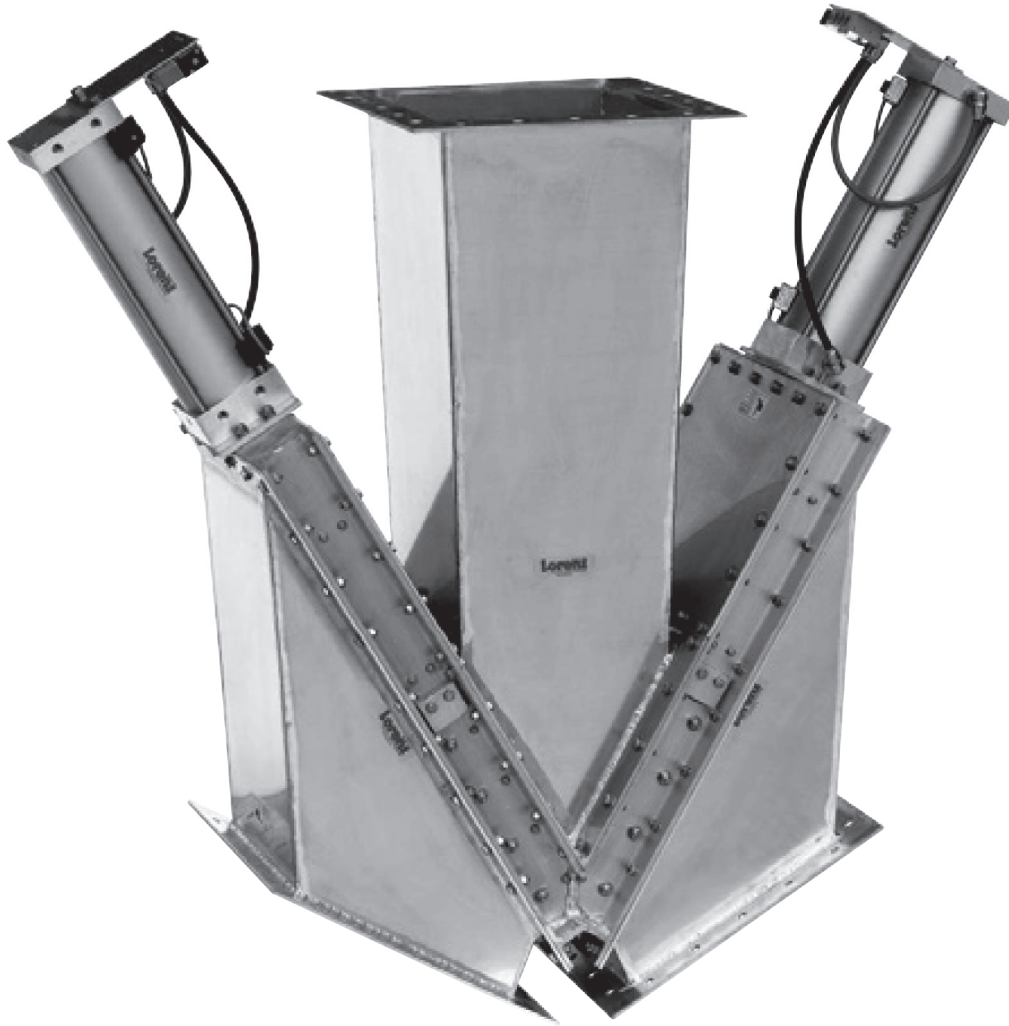


Gravity Dual Control Gate - Series "G"

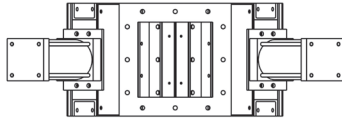


Standard Features

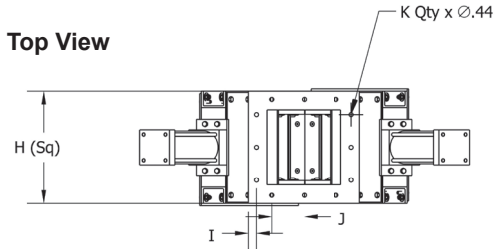
- Stainless steel material contact points
- Dust tight seals
- Lightweight aluminum frame, corrosion resistant
- Choice of stainless, aluminum and carbon inlets and outlets
 - 60° configuration standard -45° optional
- No internal ledges for product to collect
- Rated for 82°C (180°F)

Gravity Dual Control Gate - Series "G"

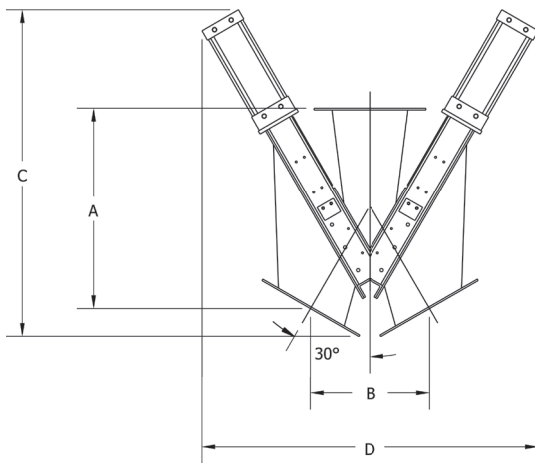
30° Top View



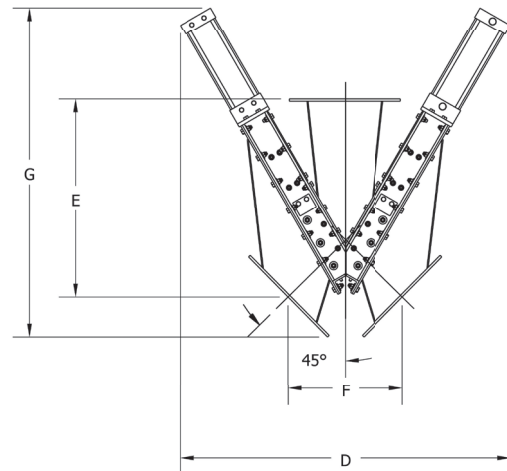
45° Top View



30° Side View



45° Side View



GDCG											
Size	A	B	C	D	E	F	G	H	I	J	K
500	16.49	11.25	28.74	30.75	12.38	10.88	25.56	9.00	0.88	3.63	8
600	17.11	11.50	29.24	31.12	15.27	12.00	24.44	10.00	0.88	4.13	8
800	19.79	12.75	36.04	35.96	21.44	12.75	34.90	12.00	0.88	3.50	12
1000	23.02	14.75	41.54	45.50	17.63	15.00	37.58	14.00	0.88	4.50	12
1200	25.44	16.38	43.99	47.96	19.44	16.25	42.72	16.00	0.88	2.75	20
1400	29.46	18.00	52.56	57.75	22.88	18.50	47.74	18.00	0.88	3.25	20
1600	32.52	18.50	56.15	63.00	25.75	19.00	51.47	20.00	0.88	3.75	20
1800	35.00	21.50	63.50	69.75	27.13	20.50	57.90	22.00	0.88	4.25	20
2400	32.79	26.88	79.00	86.40	22.31	26.63	75.69	29.00	1.38	3.75	28

All dimensions approximate and subject to change

Options

- 316 stainless material contact • High temperature service
 - Hand wheel or crank, electric actuation
- Solenoids - double or single acting 110 volt AC & 24 volt DC NEMA 4 (NEMA 7/9 available)
 - Variable and infinite positioning controls