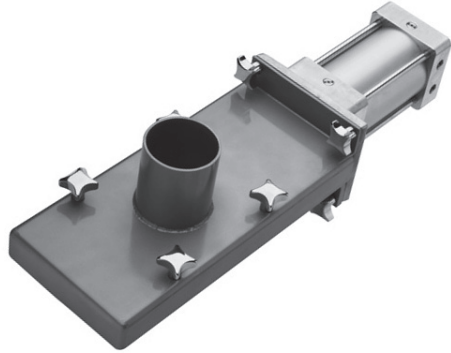
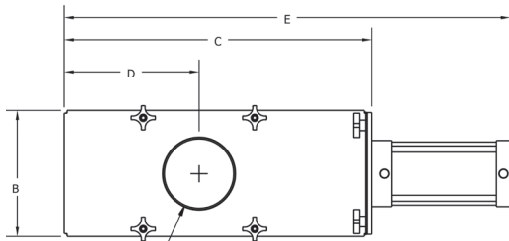


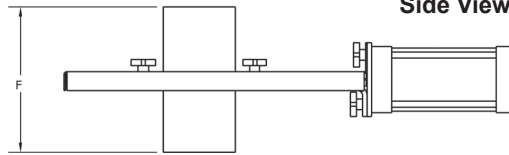
## Easy Clean Slide Gate - Series "K"



Top View



Side View



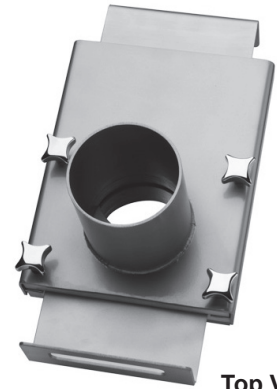
EZC						
Size	A	B	C	D	E	F
200	2.00	5.50	12.63	4.75	19.38	8.00
250	2.50	6.50	14.30	5.97	22.10	8.00
300	3.00	6.50	14.30	5.97	22.10	8.00
400	4.00	7.50	19.05	9.25	27.55	12.00
500	5.00	9.50	24.12	10.25	34.63	12.00
600	6.00	10.50	11.25	25.63	37.12	12.00
800	8.00	12.75	31.75	14.19	42.25	18.00

All dimensions approximate and subject to change

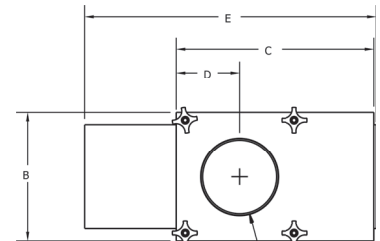
### Standard Features

- Aluminum Air Cylinder with Internal Magnetic Piston
- Temperature rated up to 82° C (180° F)
- Fully tested prior to shipping

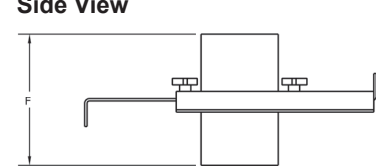
- Easy and Quick Disassembly without tools for cleaning
- For Gravity Feed Applications
- Tube Stub Connection for Compression Couplings or Light-weight Stud Pattern
- Pneumatic or Manual Actuated
- 304 Stainless Steel Construction with UHMW pressure plates
- Sizes: 2 inch to 8 inch Tube Diameter



Top View



Side View



EZCPP						
Size	A	B	C	D	E	F
200	2.00	5.50	5.62	2.00	9.00	8.00
250	2.50	6.50	8.08	2.00	12.45	8.00
300	3.00	6.50	8.08	2.00	12.45	8.00
400	4.00	8.12	10.50	3.00	15.88	10.25
500	5.00	9.12	12.98	4.00	19.36	10.25
600	6.00	10.12	15.50	5.00	22.88	10.25
800	8.00	12.75	20.31	7.00	29.69	10.25

All dimensions approximate and subject to change

### Options

- Position Switches
- PET, Teflon Pressure Plates
- Sanitary Ferrule Connection
- 316 Stainless Steel Construction
- Manual Push/Pull Actuation