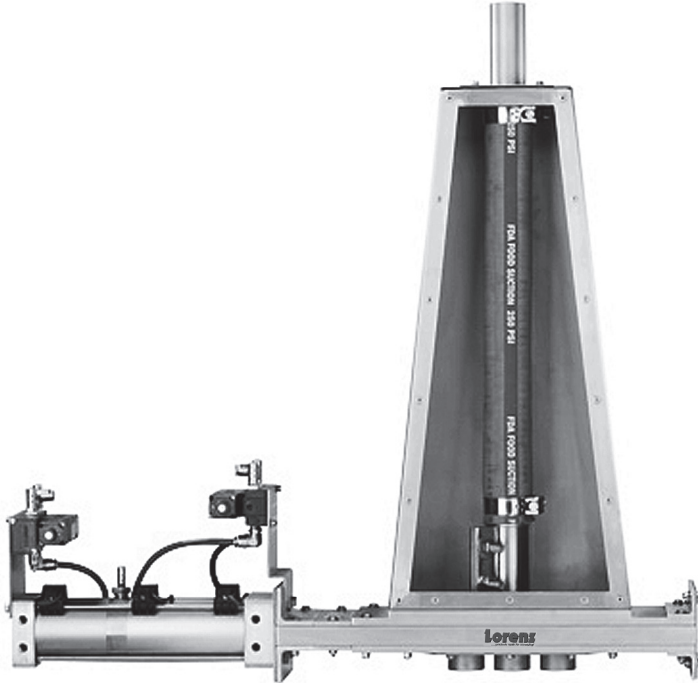


3 Way Slideflex Diverter Valve - Series "P"



**Pneumatic actuated Flex Valve
for vacuum or low pressure*
conveying systems**

**Available in sizes from
2" up to 8" OD**

**Available with Food
Grade Rubber or
Stainless Steel hose**

**Inlets & Outlets available in
Tube & Pipe sizes in Stainless Steel**

*(Dilute phase up to 15 psig max.)

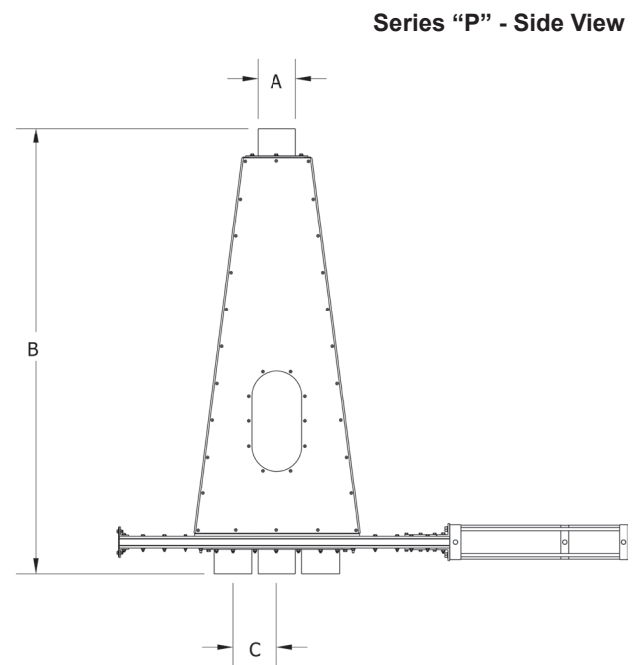
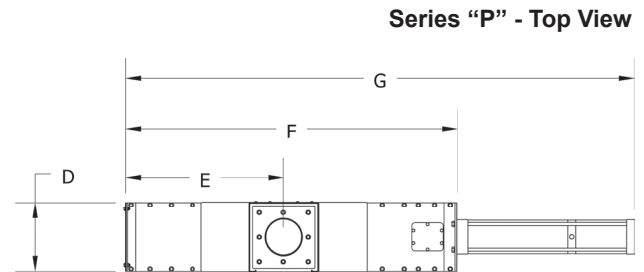
Standard Features

- Oversized cylinders
- Positive Blade Lock (PBL) between blade & cylinder rod
- Internal magnetic piston, cushioned air cylinder
- Polished stainless steel blade • Active Compression Seals (ACS)
- Light weight aluminum body construction • Temperature rated for up to 82° C (180° F)
- Wall thickness of 16, 14, & 11 gauge, schedule 10, 40 & 80
- Fully tested prior to shipping

3 Way Slideflex Diverter Valve - Series "P"

SF3							
Size	A	B	C	D	E	F	G
200	2.00	38.21	2.50	6.00	10.00	22.88	37.13
225	2.25	49.21	3.50	7.00	13.03	28.69	45.94
2375	2.38	49.21	3.50	7.00	13.03	28.67	45.90
250	2.50	49.21	3.50	7.00	13.03	28.67	45.90
2875	2.88	48.21	3.50	7.00	12.97	28.69	45.94
300	3.00	48.21	3.50	7.00	12.97	28.68	45.94
350	3.50	59.77	5.00	9.00	18.76	40.19	62.44
400	4.00	58.27	5.00	9.00	18.77	40.19	62.44
450	4.50	66.12	6.00	9.00	22.02	46.69	71.94
500	5.00	65.12	6.00	9.00	21.95	46.69	71.94
5563	5.56	72.18	7.00	11.00	25.28	53.02	81.27
600	6.00	71.31	7.00	11.00	25.25	53.02	81.27
6625	6.63	87.94	7.25	11.00	25.31	53.81	82.81
800	8.00	86.87	10.00	12.00	35.86	74.25	112.25

All dimensions approximate and subject to change



Options

- Position switches 5 volt to 240 volt AC/DC
- Proximity switches
- Inlets/outlets - straight or flanged ends
- High temperature modifications
- Stainless steel hose (maximum 6")
- Electric actuator
- Solenoids 110 volt AC or 24 volt DC
- NEMA 7-9 hazardous locations
- Double acting or single acting spring return solenoid or manual lever valve
- Prewired terminal boxes