

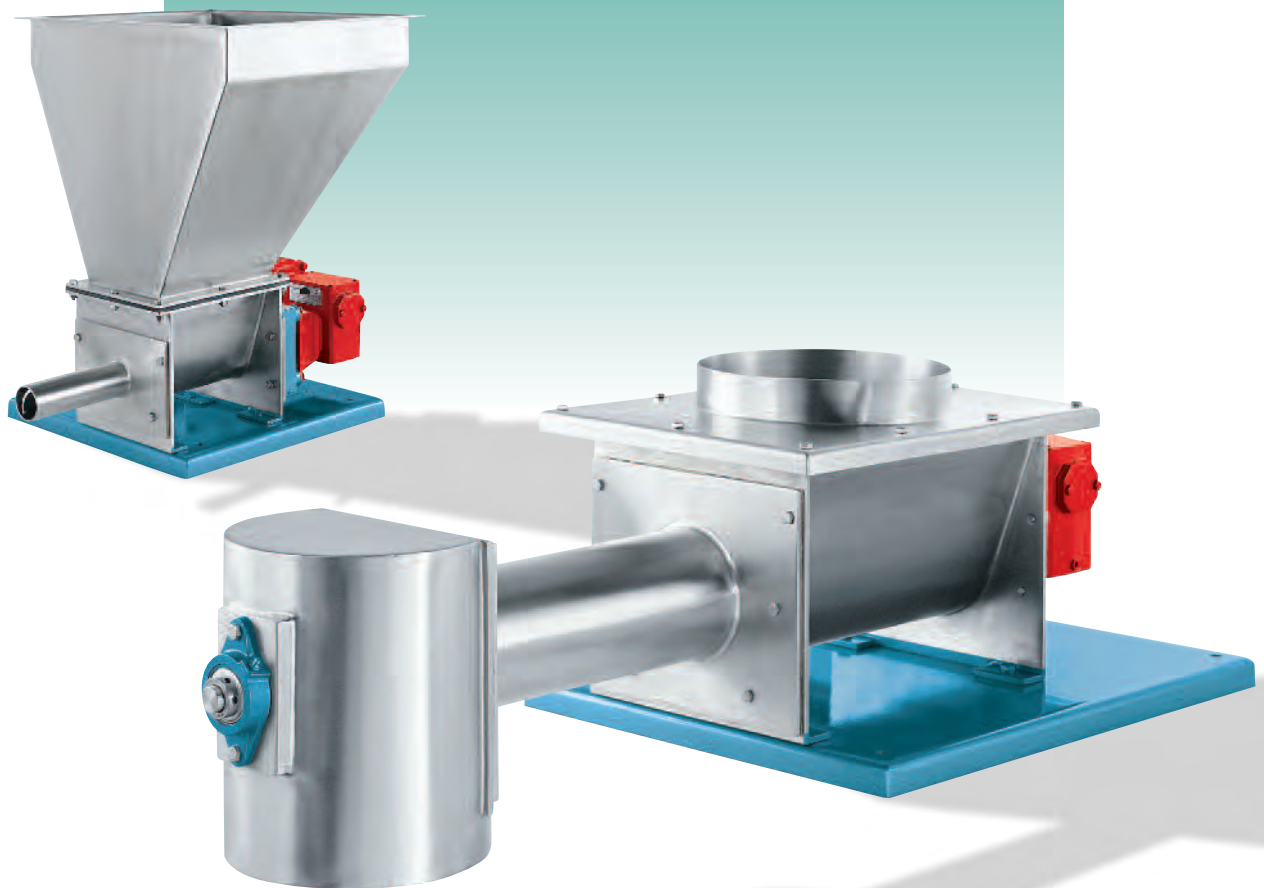
Acrison®

Design Specifications
1-200-0479

VOLUMETRIC FEEDERS

Models 101 and 130 Series

For Dry Solid Materials



Single auger, heavy-duty volumetric dry solids feeders specifically designed to accurately and dependably meter granular or pelletized (free-flowing) ingredients.

— Built to Last —

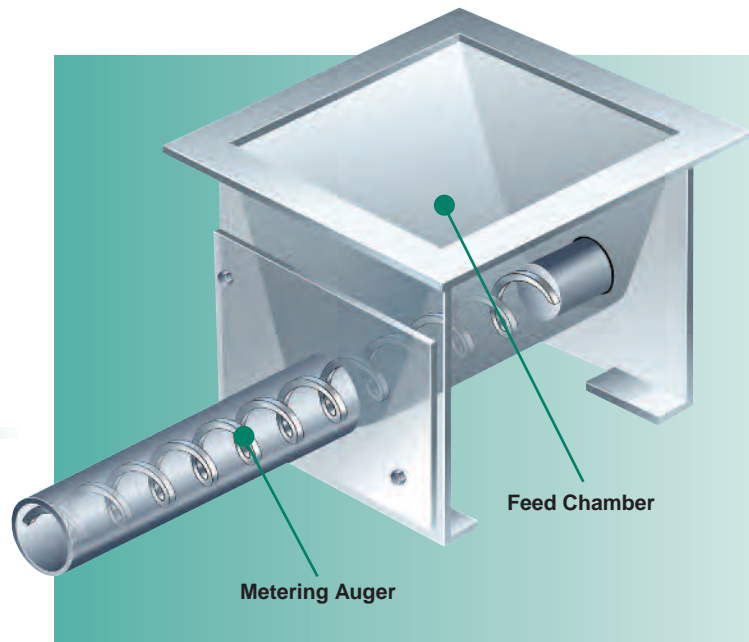
VOLUMETRIC FEEDERS

Model 101 Series

For Dry Solid Materials

Acrison's ruggedly constructed, single auger Model 101 Series of Volumetric Feeders have been specifically designed to accurately meter free-flowing dry solid ingredients, primarily those of a granular nature, at low to moderate feed rates.

Volumetric metering accuracies generally range between ± 1 to 2 percent or better (error) for the majority of products. Accuracy is based on a given number of consecutive one minute samples.



Model 101-0

Standard Features

- Feed rates ranging from 0.0012 to 29 cubic feet per hour.
- Furnished with a one cubic foot supply hopper, flanged feed chamber, or flanged feed chamber with a cover having a circular inlet up to 6 inches in diameter.
- Easy cleanout construction (self-emptying).
- Drive shaft and seal components are 304 stainless steel.
- Metering auger is 316 stainless steel.
- Metering auger includes a threaded attachment to its drive shaft.
- All steel construction.
- Furnished with a 1/2 horsepower variable speed AC or DC gearmotor drive with either a 30:1 or 50:1 speed range.
- Totally enclosed motor
- Dust-tight, heavy-duty construction.
- Silent when operating.

Model 101-1

Standard Features

- Feed rates ranging from 0.84 to 202 cubic feet per hour.
- Furnished with a one cubic foot supply hopper, flanged feed chamber, or flanged feed chamber with a cover having a circular inlet up to 9 inches in diameter.
- Easy cleanout construction (self-emptying).
- Drive shaft and seal components are 304 stainless steel.
- Metering auger is 316 stainless steel.
- Metering auger includes a threaded attachment to its drive shaft.
- All steel construction.
- Furnished with a 3/4 horsepower variable speed AC or DC gearmotor drive with either a 30:1 or 50:1 speed range.
- Totally enclosed motor
- Dust-tight, heavy-duty construction.
- Silent when operating.

Model 101 Series of Volumetric Feeders



Model 101-0



Model 101-1

Optional or Accessory Equipment for the Model 101 Series of Feeders

- Various materials of construction.
- Integral supply hoppers.
- Various variable speed AC or DC motor controllers and control modes.
- Quick disconnect construction for ease of cleanout.
- Sanitary construction to satisfy USDA and FDA sanitary codes (includes quick disconnect construction).
- High temperature construction.
- Pressure construction.

Capacities

The capacity charts indicate the typical output range for each standard size metering auger available with the Model 101 Series of Volumetric Feeders.

Since the physical properties of the actual product being metered may have an effect upon the exact output, the stated capacities could vary.

NOTE:

Metering augers are interchangeable on the individual feeder models only.

MODEL 101-0 FEEDER CAPACITY CHART

(Capacities shown in cubic feet per hour)

Model Size	Minimum Output		Maximum Output
	30:1 Speed Range	50:1 Speed Range	
101-0-A	0.002	0.0012	0.06
101-0-B	0.005	0.003	0.15
101-0-BC	0.0127	0.0076	0.38
101-0-BB	0.018	0.0108	0.54
101-0-C	0.03	0.018	0.9
101-0-CC	0.047	0.028	1.4
101-0-D	0.08	0.048	2.4
101-0-DD	0.14	0.084	4.2
101-0-E	0.2	0.12	6
101-0-EE	0.29	0.174	8.7
101-0-F	0.47	0.28	14
101-0-FF	0.63	0.38	19
101-0-G	0.97	0.58	29

MODEL 101-1 FEEDER CAPACITY CHART

(Capacities shown in cubic feet per hour)

Model Size	Minimum Output		Maximum Output
	30:1 Speed Range	50:1 Speed Range	
101-1-GG	1.4	0.84	42
101-1-H	1.7	1.02	51
101-1-HH	2.4	1.4	72
101-1-K	3.2	1.9	96
101-1-KK	3.9	2.4	118
101-1-M	5.3	3.2	160
101-1-N	6.7	4.0	202

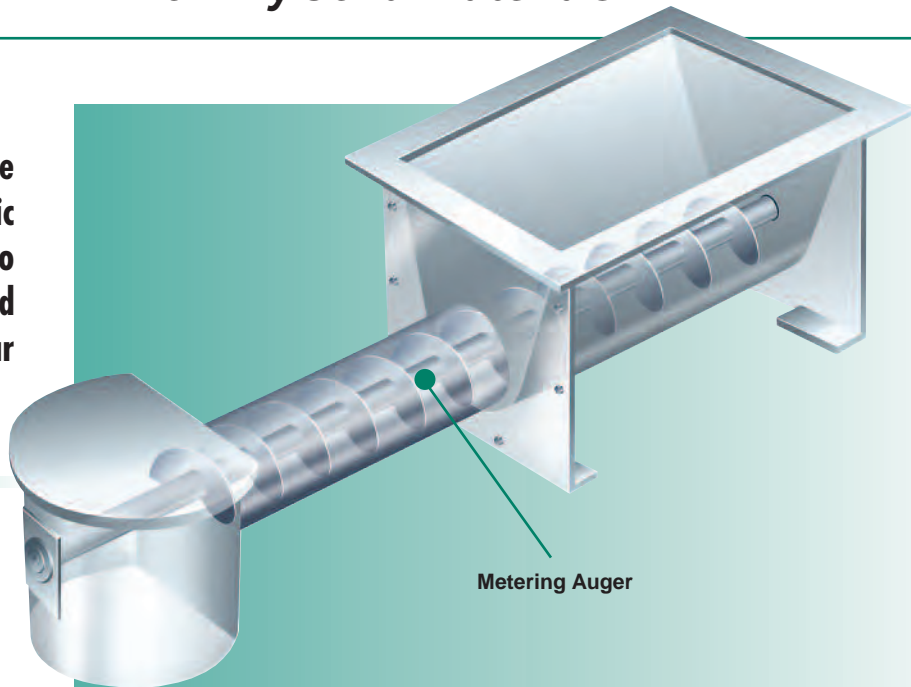
VOLUMETRIC FEEDERS

Model 130 Series

For Dry Solid Materials

Acrison's ruggedly constructed, single auger Model 130 Series of Volumetric Feeders have been specifically designed to accurately meter free-flowing dry solid ingredients, primarily those of a granular nature, at moderate to high feed rates.

Volumetric metering accuracies generally range between ± 1 to 2 percent or better (error) for the majority of products. Accuracy is based on a given number of consecutive one minute samples.



Model 130-0

Standard Features

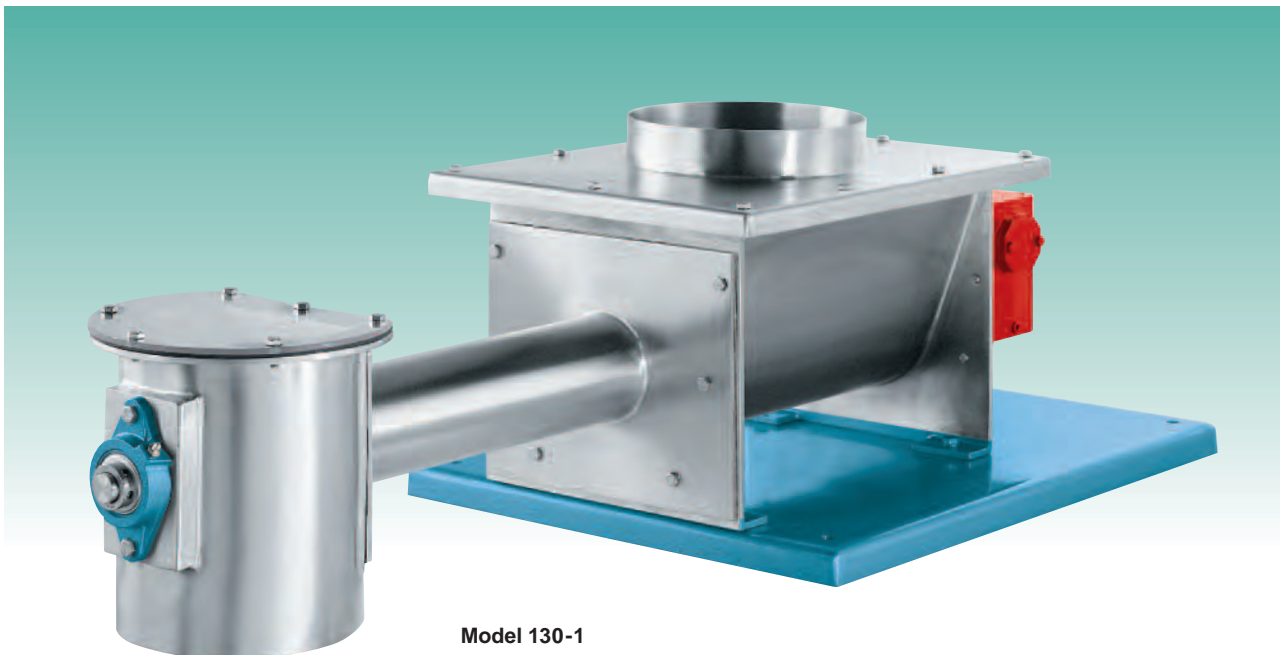
- Feed rates ranging from 4.8 to 600 cubic feet per hour.
- Furnished with a flanged feed chamber or flanged feed chamber with a cover having a circular inlet (maximum circular inlet size is 12 inches).
- Easy cleanout construction (self-emptying).
- Drive shaft and seal components are 304 stainless steel.
- Metering auger is constructed of the same material as the feeder.
- Metering auger includes a threaded attachment to its drive shaft.
- All steel construction.
- Furnished with a 1 horsepower variable speed AC or DC gearmotor drive with either a 30:1 or 50:1 speed range.
- Totally enclosed motor
- Dust-tight, heavy-duty construction.
- Silent when operating.

Model 130-1

Standard Features

- Feed rates ranging from 18 to 1200 cubic feet per hour.
- Furnished with a flanged feed chamber or flanged feed chamber with a cover having a circular inlet (maximum circular inlet size is 15 inches).
- Easy cleanout construction (self-emptying).
- Drive shaft and seal components are 304 stainless steel.
- Metering auger is constructed of the same material as the feeder.
- Metering auger includes a threaded attachment to its drive shaft.
- All steel construction.
- Furnished with a 2 horsepower variable speed AC or DC gearmotor drive with either a 30:1 or 50:1 speed range.
- Totally enclosed motor
- Dust-tight, heavy-duty construction.
- Silent when operating.

Model 130 Series of Volumetric Feeders



Model 130-1

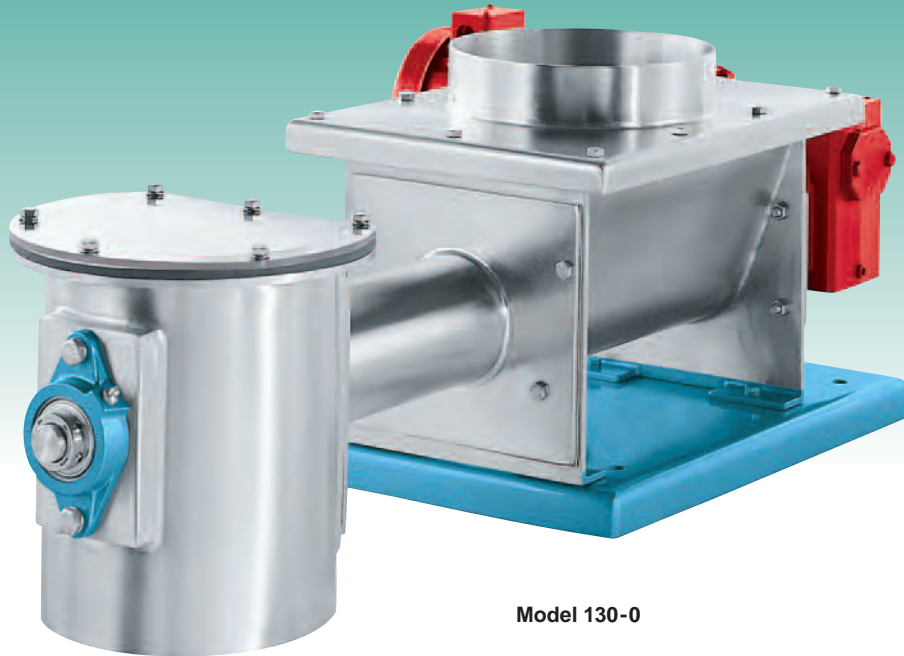
Model 130-2

Standard Features

- Feed rates ranging from 36 to 3400 cubic feet per hour.
- Furnished with a flanged feed chamber or flanged feed chamber with a cover having a circular inlet (maximum circular inlet size is 18 inches).
- Easy cleanout construction (self-emptying).
- Drive shaft and seal components are 304 stainless steel.
- Metering auger is constructed of the same material as the feeder.
- Metering auger includes a threaded attachment to its drive shaft.
- All steel construction.
- Furnished with a 3 horsepower variable speed AC or DC gearmotor drive with either a 30:1 or 50:1 speed range.
- Totally enclosed motor
- Dust-tight, heavy-duty construction.
- Silent when operating.



Model 130 Series of Volumetric Feeders



Model 130-0

Optional or Accessory Equipment for the Model 130 Series of Feeders

- Various materials of construction.
- Integral supply hoppers.
- Various variable speed AC or DC motor controllers and control modes.
- Quick disconnect construction for ease of cleanout.
- Sanitary construction to satisfy USDA and FDA sanitary codes (includes quick disconnect construction).
- High temperature construction.
- Pressure construction.

Capacities

The capacity charts indicate the typical output range for each standard size metering auger available with the Model 130 Series of Volumetric Feeders.

Since the physical properties of the actual product being metered may have an effect upon the exact output, the stated capacities could vary.

NOTE:

Metering augers are interchangeable on the individual feeder models only.

MODEL 130-0 FEEDER CAPACITY CHART

CAPACITIES SHOWN IN CUBIC FEET PER HOUR

Model Size	MINIMUM OUTPUT		Maximum Output
	30:1 Speed Range	50:1 Speed Range	
130-0-NN	8	4.8	240
130-0-P	11	6.4	320
130-0-R	20	12	600

MODEL 130-1 FEEDER CAPACITY CHART

CAPACITIES SHOWN IN CUBIC FEET PER HOUR

Model Size	MINIMUM OUTPUT		Maximum Output
	30:1 Speed Range	50:1 Speed Range	
130-1-S	30	18	900
130-1-T	40	24	1200

MODEL 130-2 FEEDER CAPACITY CHART

CAPACITIES SHOWN IN CUBIC FEET PER HOUR

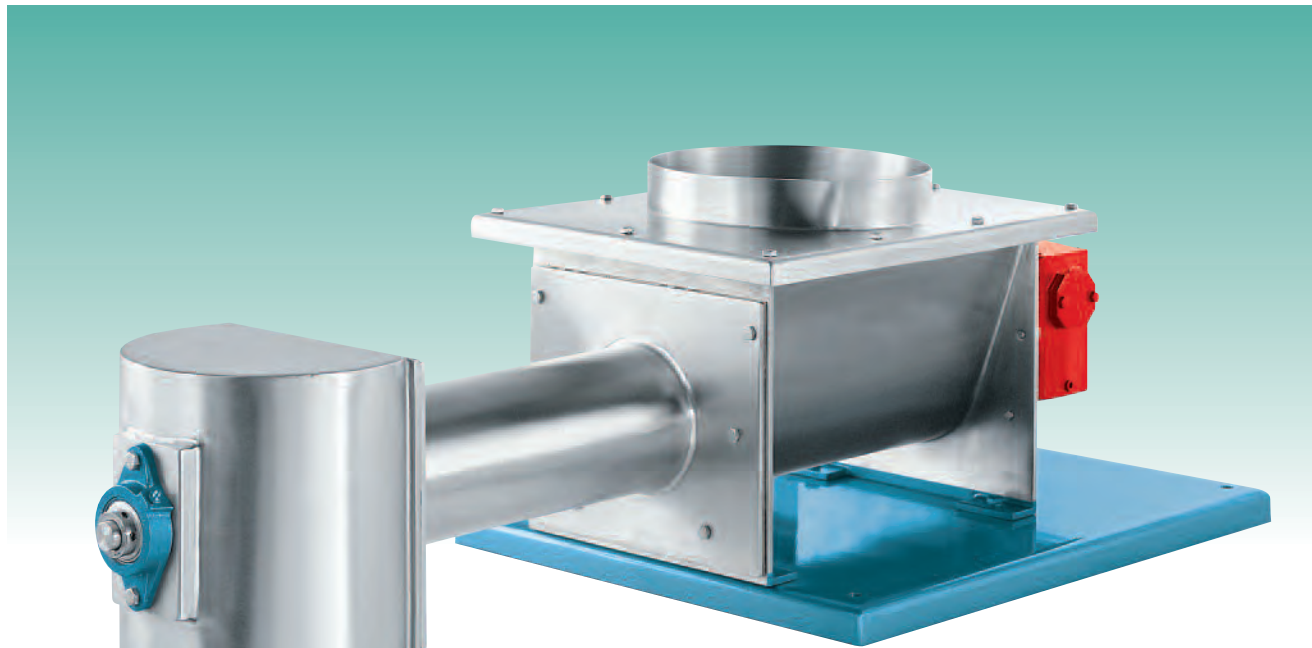
Model Size	MINIMUM OUTPUT		Maximum Output
	30:1 Speed Range	50:1 Speed Range	
130-2-U	60	36	1800
130-2-V	80	48	2400
130-2-W	113	68	3400

Models 101 and 130 Series of Volumetric Feeders



Model 101-0

Model 101-0



Model 130-2
(with a 'sealed' downspout)

Discover the difference!

We cordially invite you to witness a test in Acrison's state-of-the-art Customer Demonstration Facilities handling your actual product(s) with the specific equipment we recommend for the application. Usually, there is no cost or obligation for this service.

Discover the difference in technology, quality and performance of Acrison equipment.



Empire Boulevard Facility
Moonachie, NJ USA



Trafford Park Facility
Manchester, UK



Joseph Street Facility
Moonachie, NJ USA

Acrison products...

- Models 101 and 130 Volumetric Feeders
- Models V-101 and V-130 Volumetric Feeders
- Model 1015 Volumetric Feeder Series
- Model 105 Volumetric Feeder Series
- Model W-105 Volumetric Feeder Series
- Model 120 Volumetric Feeder
- Model 140 Volumetric Feeder Series
- Model 170 Volumetric Feeder Series
- Model 905-14 Volumetric Feeder
- Bin Discharger Feeders
- Model 200 Series of Weigh Belt Feeders
- Model 203B Series of Weigh Auger Feeders
- Model 270 Series of In-Line Weigh Feeders
- Models 402, 404, A405, 406, 407 and 410 Series ("Weight-Loss-Differential") Weigh Feeders
- Model Series 403 ("Weight-Loss-Differential") Weigh Feeders
- Model 403B(D) Batch/Dump Weighing Systems
- Model 404BZ(BU) Bulk Bag Unloader Batch Weigher
- Models 350 and 301 Continuous Blenders and Blending Systems
- Multiple Auger Bin Dischargers and Multiple Auger Bin Discharger Hoppering Systems
- Vibratory Bin Dischargers
- Model 170-BD-30 Bin Dischargers
- Model 800 Series of Bulk Bag Unloaders
- Model 500 Series of Polyelectrolyte Preparation Systems
- Water and Waste Water Treatment Systems
- Volumetric and Gravimetric Feeder Controllers and Control Systems
- Accessory Equipment for Acrison Products
- Systems Engineering

Quality built, total performance products to satisfy your
dry solids metering/handling needs.

Acrison®

"Visibly Different... Measurably Better"

20 Empire Blvd.
Moonachie, NJ 07074
201-440-8300 • Fax: 201-440-4939
Toll Free: 800-4ACRISON
Email: informail@acrison.com

Website: www.acrison.com



Copyright 2008 — Acrison, Inc. — all rights reserved.
Domestic and Foreign Patents issued and pending.
Acrison is a Registered Trademark of Acrison Inc., Moonachie, New Jersey